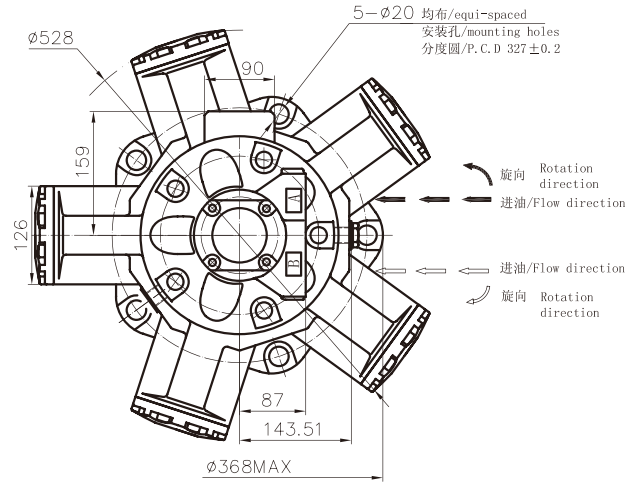
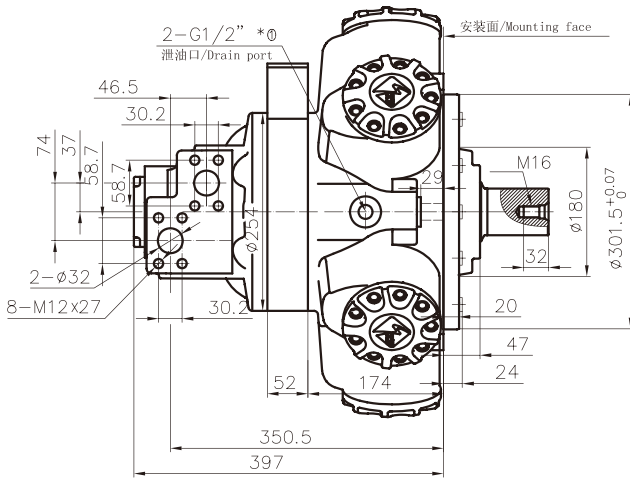


STFD100 外形及安装尺寸/ STFD100 Installation Dimensions

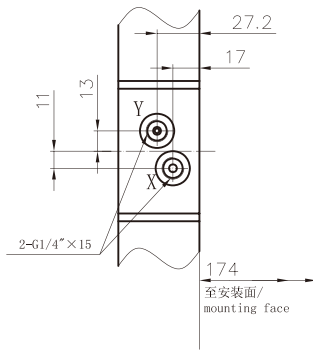
进油口为F01的安装尺寸/With F01 Distributor



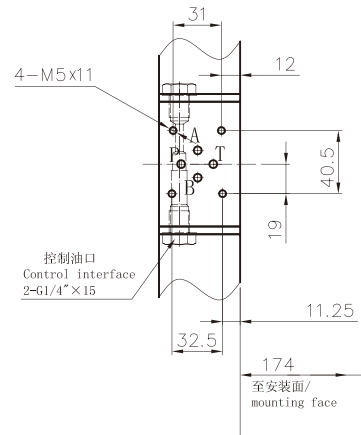
*①可选配UNF3/4"-16接头/Option: UNF3/4"-16

变量控制方法的安装尺寸/Variable Control Dimensions(编码标识/Ordering code 8)

A的安装尺寸/Dimensions

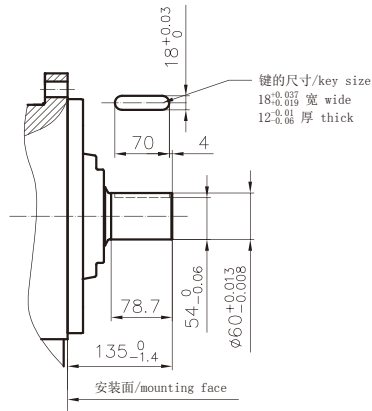


B&C&D 的安装尺寸/Dimensions

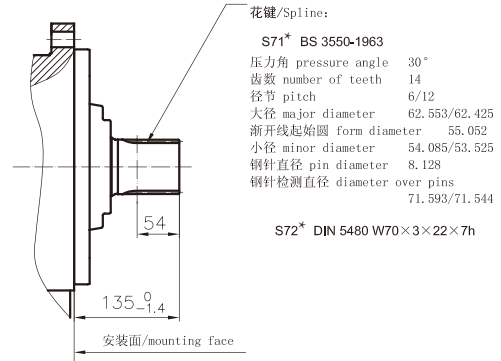


STFD100输出轴的安装尺寸/STFD100 Shaft Options(编码标识/Ordering code 5)

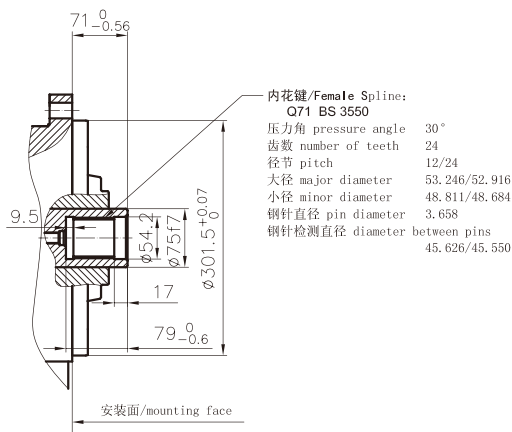
STFD100-P71



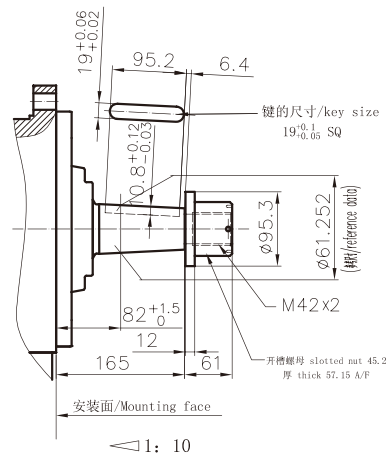
STFD100-S71*&S72*



STFD100-Q71



STFD100-T71

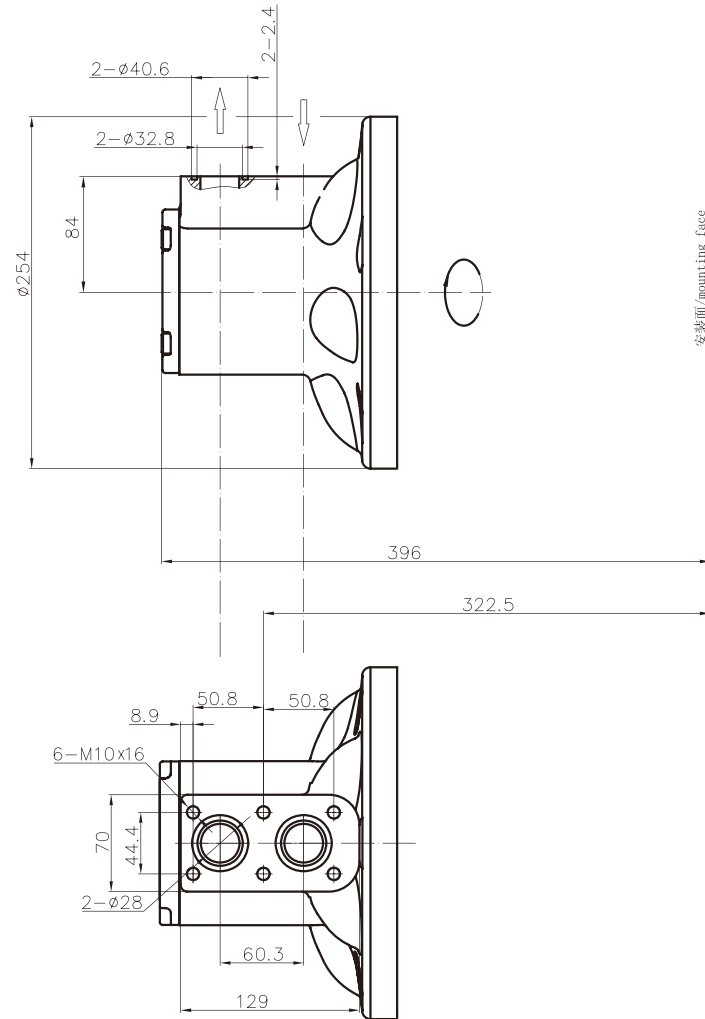


注释: S71*/S72* 为标准花键轴。

Notes: S71*/S72*= Standard Spline Shaft

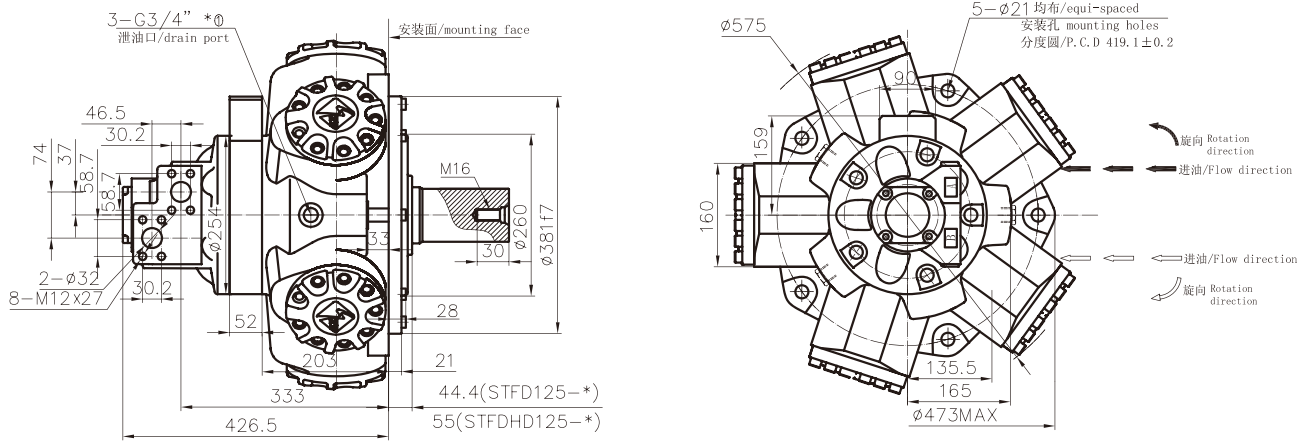
STFD100 外形及安装尺寸/ STFD100 Installation Dimensions

进出油口为F01B的安装尺寸/ F01B Distributor



STFD125 外形及安装尺寸/ STFD125 Installation Dimensions

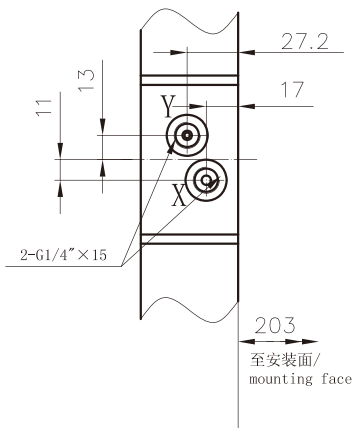
进油口为F01的安装尺寸/With F01 Distributor



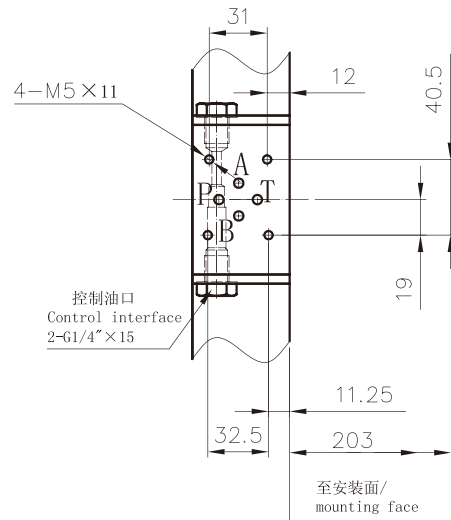
*①可选配UNF3/4"-16接头/Option: UNF3/4"-16

变量控制方式的安装尺寸/Variable Control Dimensions (编码标识/Ordering code 8)

A的安装尺寸/Dimensions

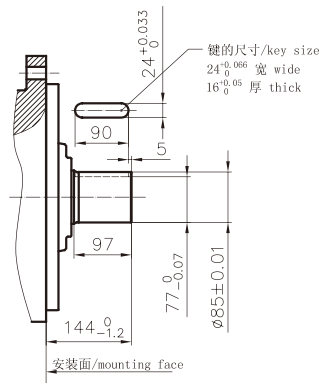


B&C&D的安装尺寸/Dimensions

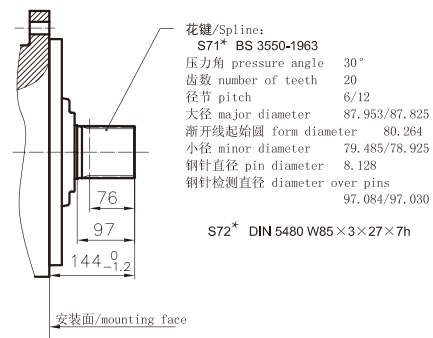


STFD125 输出轴的安装尺寸/STFD125 Shaft Options (编码标识/Ordering code 5)

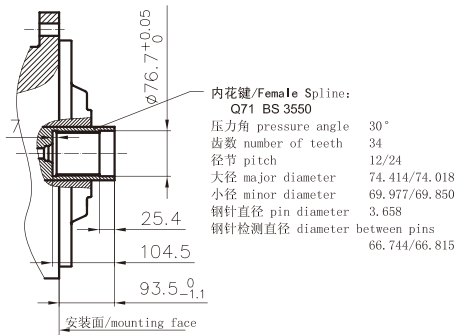
STFD125-P71



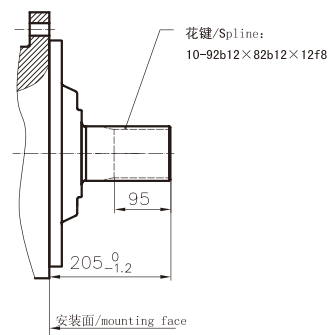
STFD125-S71*&S72*



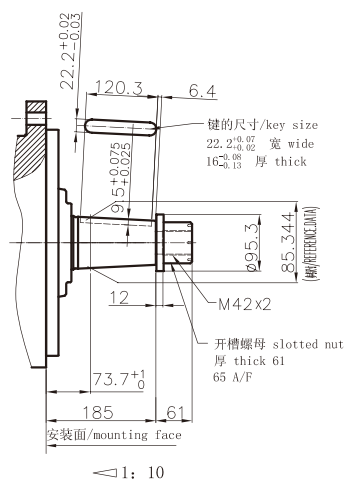
STFDH125-Q71



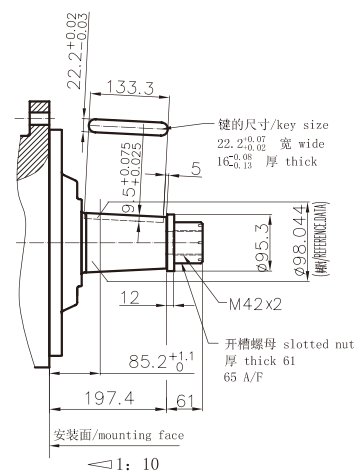
STFDH125-S73



STFD125-T71



STFDH125-T72



注释: S71*/S72* 为标准花键轴。

Notes: S71*/S72* = Standard Spline Shaft

ITM

ITMS

STFC

STFD

CRM-HA

CRM-HB

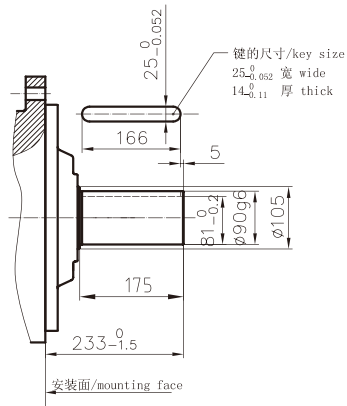
CRM-PS

SMA6V

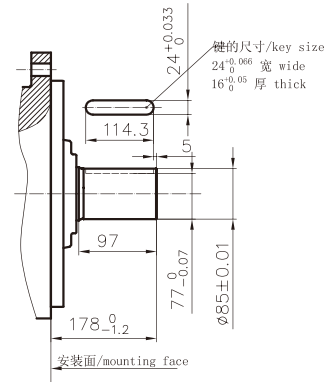
SMA2F

OMZ

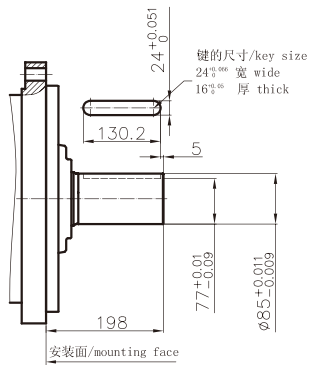
STFDHD125-P72



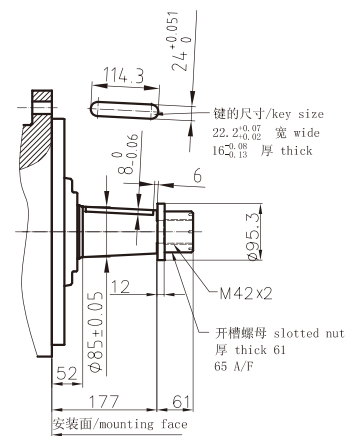
STFD125-P73



STFD125-P76

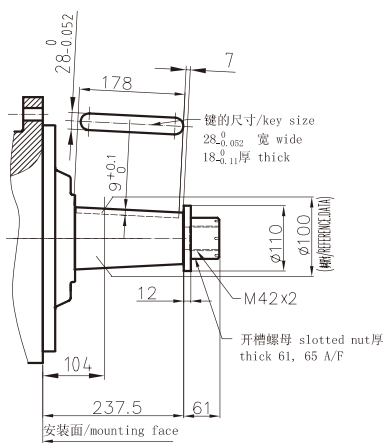


STFDHD125-T73



▽ 1: 10

STFD125-T75



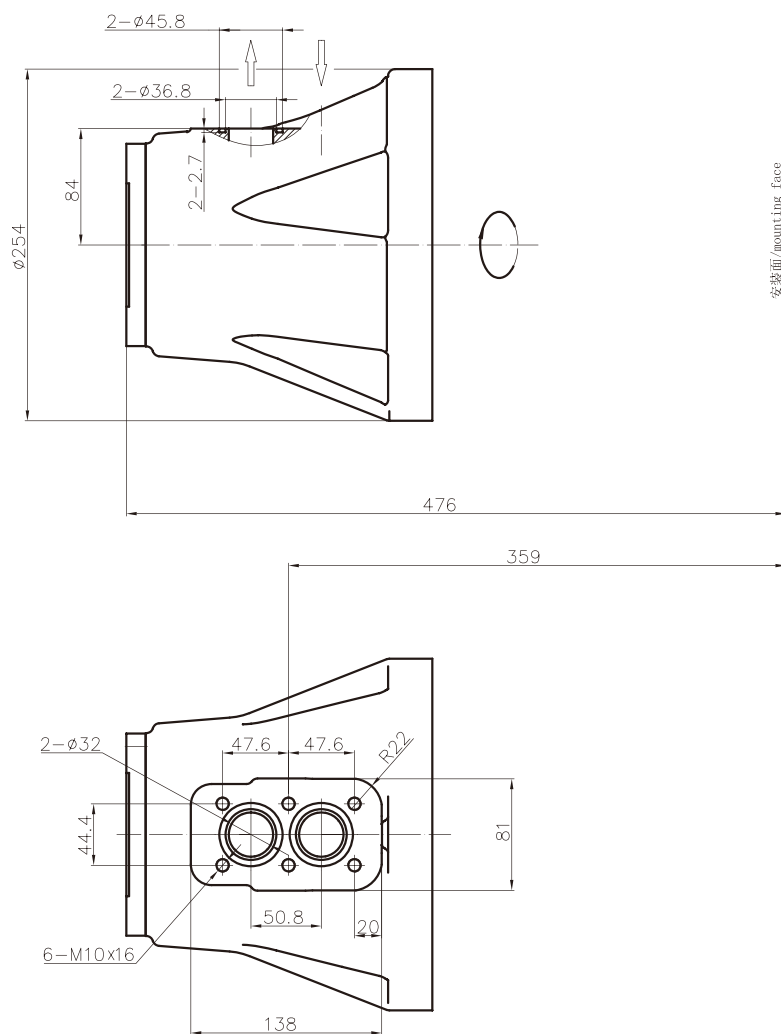
▽ 1: 10

注释: S71*/S72* 为标准花键轴。

Notes: S71*/S72* = Standard Spline Shaft

STFD125外形及安装尺寸/ STFD125 Installation Dimensions

进出油口为F02B的安装尺寸/ F02B Distributor



ITM

ITMS

STFC

STFD

CRM-HA

CRM-HB

CRM-PS

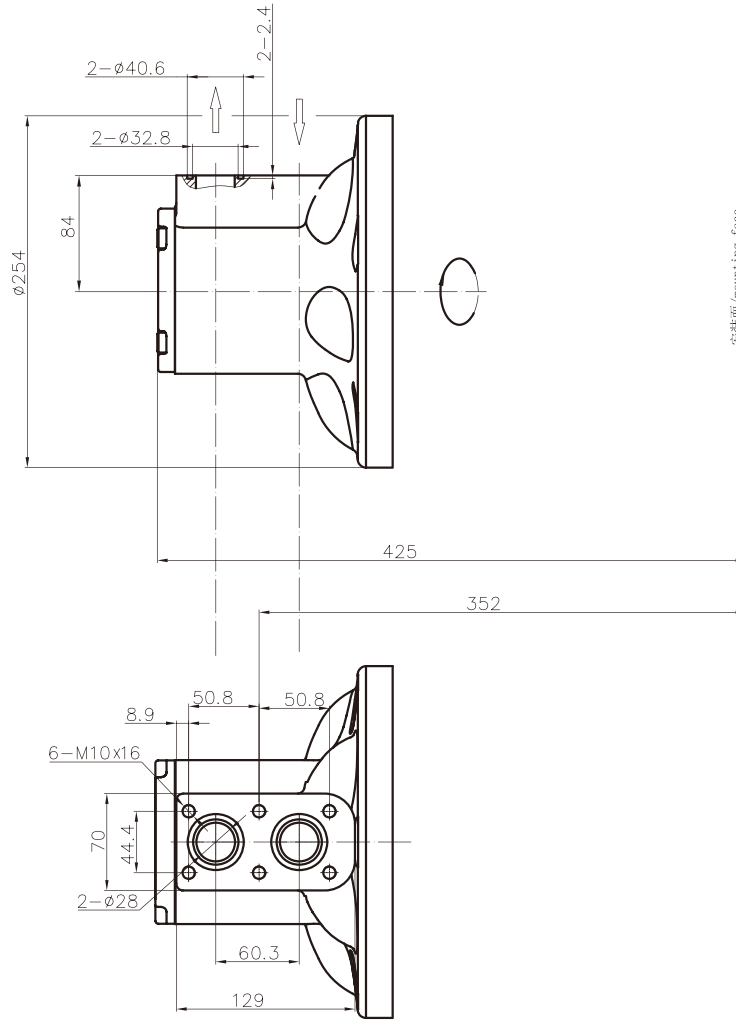
SMA6V

SMA2F

OMZ

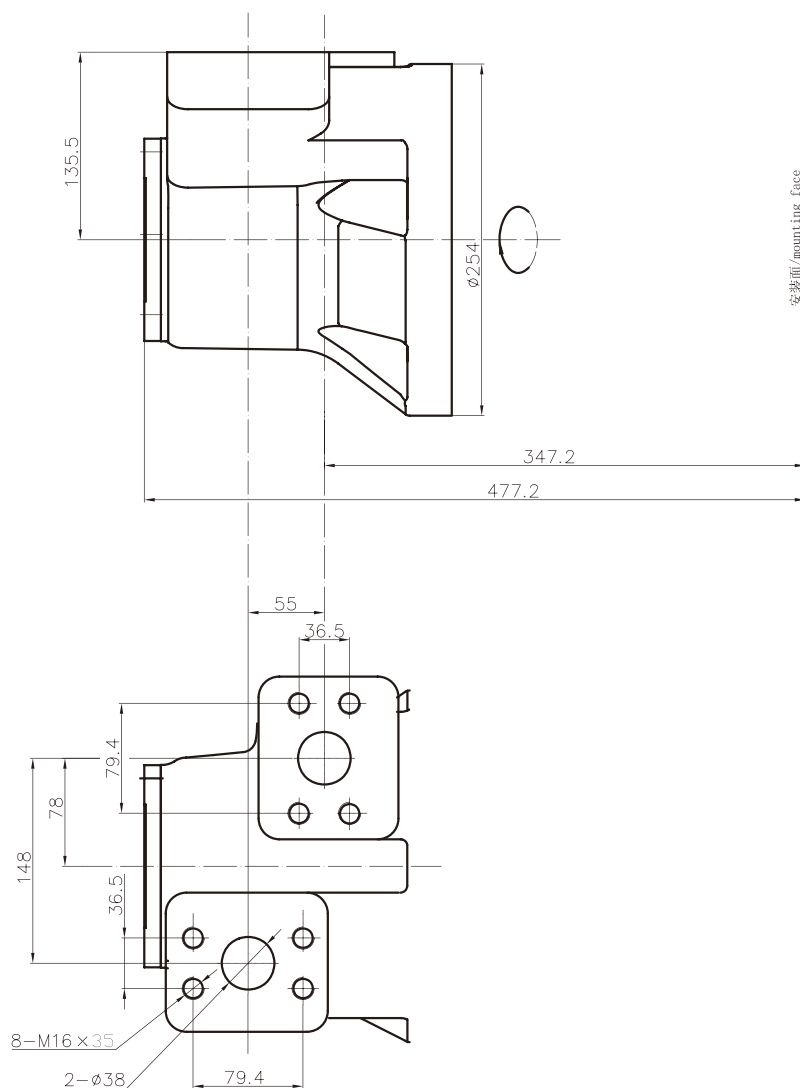
STFD125外形及安装尺寸/ STFD125 Installation Dimensions

进出油口为F01B的安装尺寸/ F01B Distributor



STFD125外形及安装尺寸/ STFD125 Installation Dimensions

进出油口为F02的安装尺寸/ F02 Distributor



ITM

ITMS

STFC

STFD

CRM-HA

CRM-HB

CRM-PS

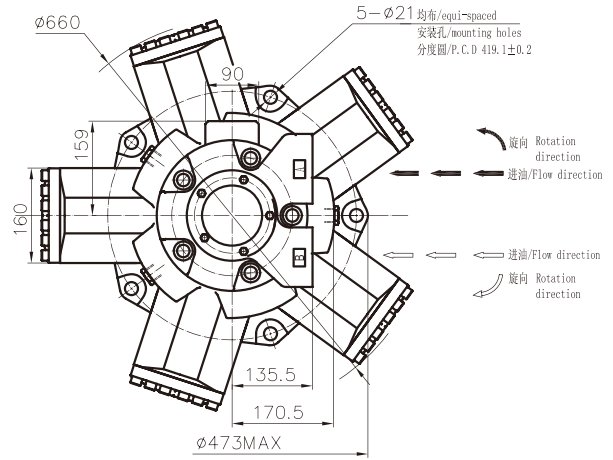
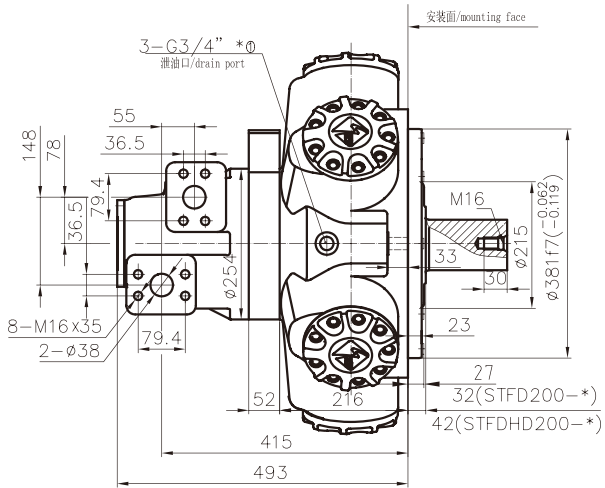
SMA6V

SMA2F

OMZ

STFD200 外形及安装尺寸/ STFD200 Installation Dimensions

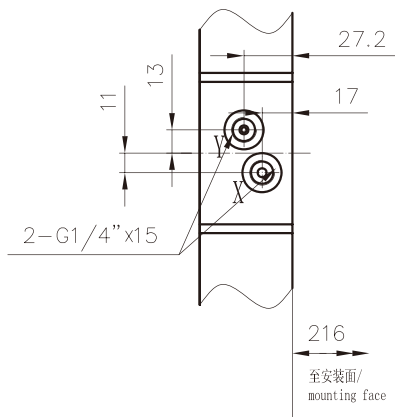
进出油口为F02的安装尺寸/With F02 Distributor



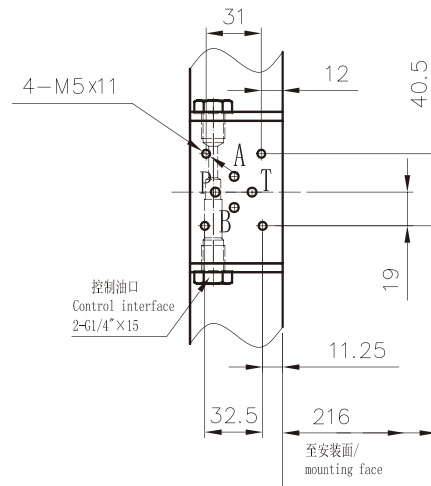
*① 可选配 UNF3/4"-16 接头/Option: UNF3/4"-16

变量控制方式的安装尺寸/Variable Control Dimensions (编码标识/Ordering code 8)

A 的安装尺寸/Dimensions

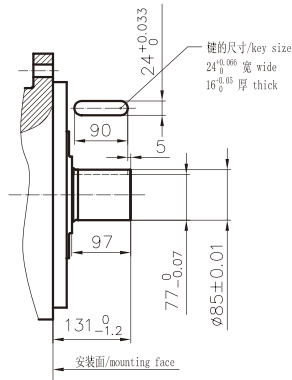


B&C&D 的安装尺寸/Dimensions

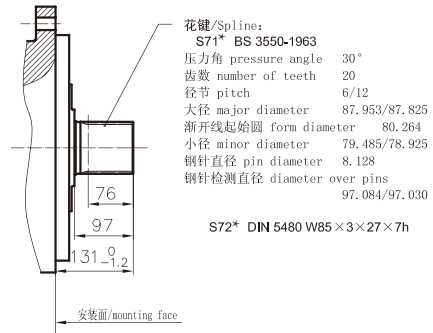


STFD200 输出轴的安装尺寸/STFD200 Shaft Options (编码标识/Ordering code 5)

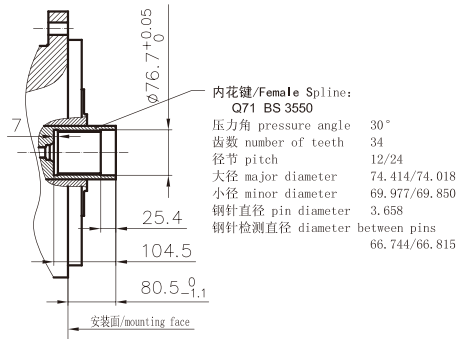
STFD200-P71



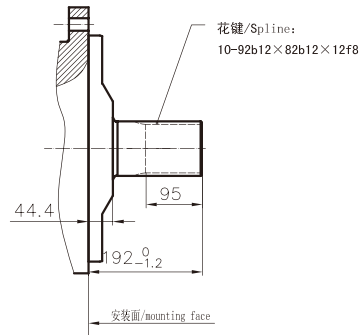
STFD200-S71*&S72*



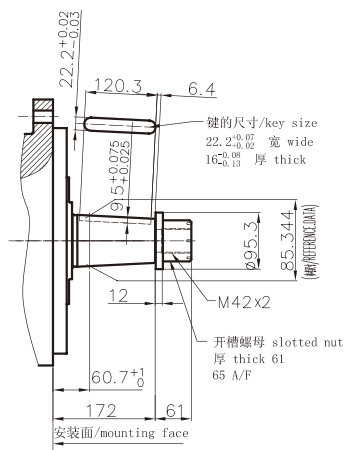
STFDHD200-Q71



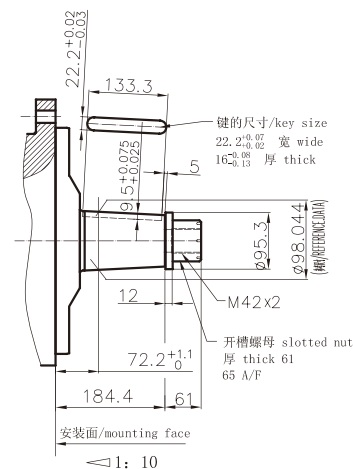
STFDHD200-S73



STFD200-T71



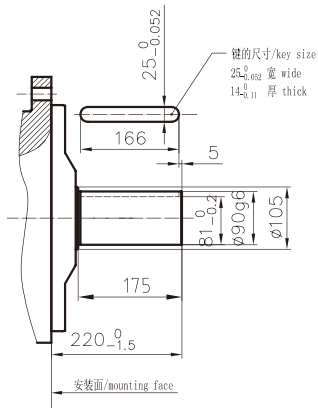
STFDHD200-T72



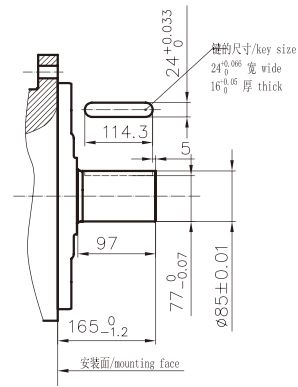
注释: S71*/S72* 为标准花键轴。

Notes: S71*/S72*= Standard Spline Shaft

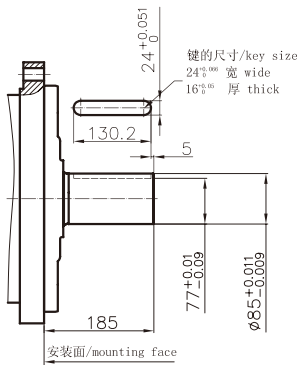
STFDHD200-P72



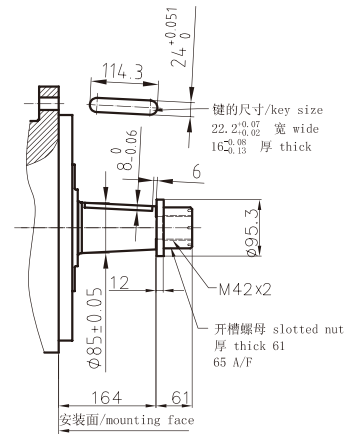
STFD200-P73



STFD200-P76

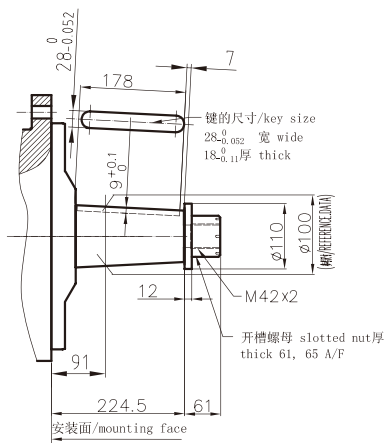


STFD200-T73



▽1: 10

STFDHD200-T75



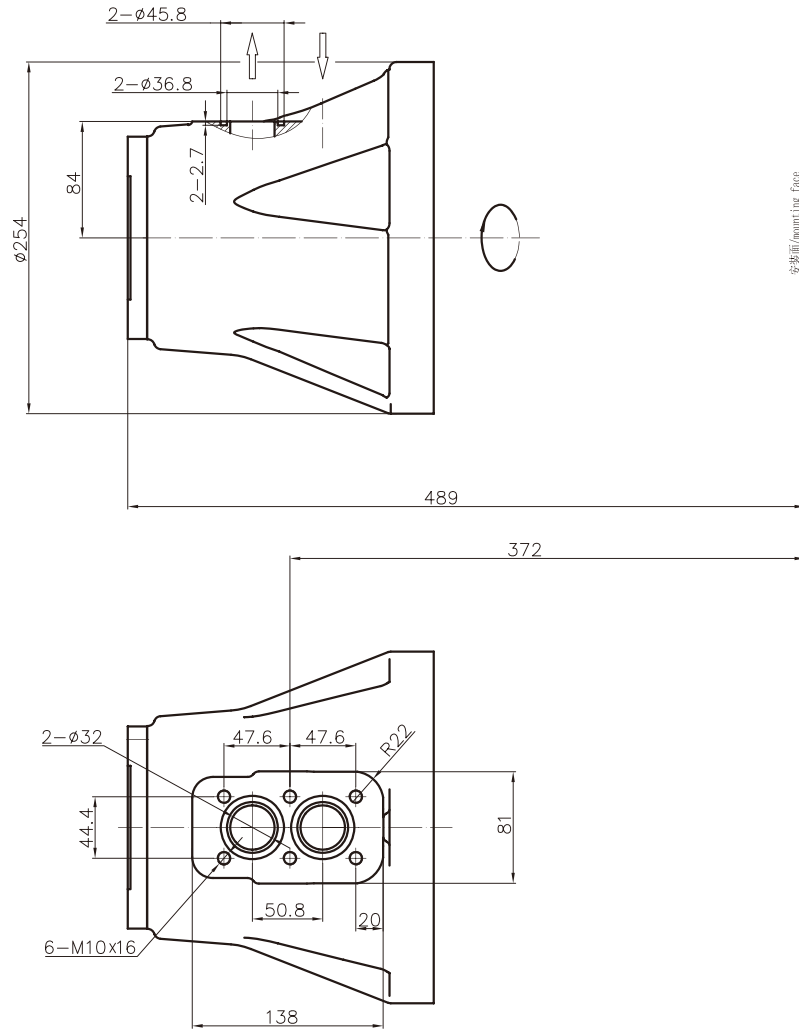
▽1: 10

注释: S71*/S72* 为标准花键轴。

Notes: S71*/S72* = Standard Spline Shaft

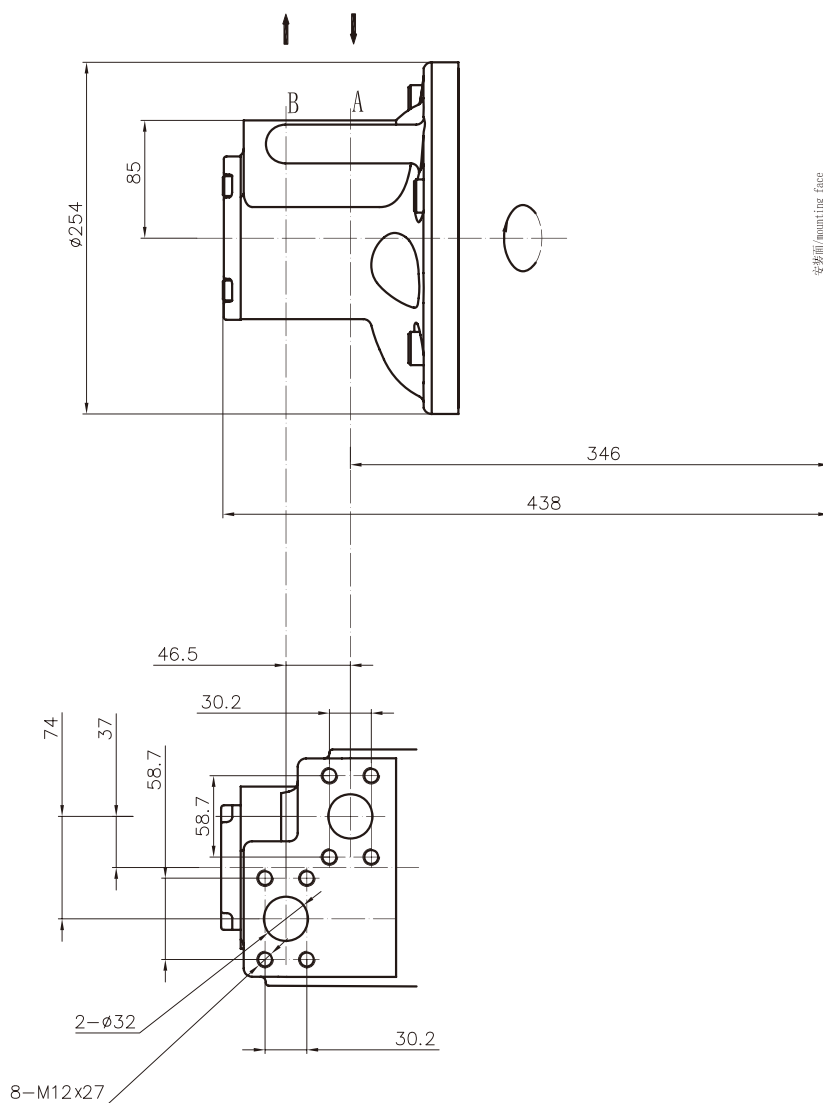
STFD200外形及安装尺寸/ STFD200 Installation Dimensions

进出油口为F02B的安装尺寸/ F02B Distributor



STFD200外形及安装尺寸/ STFD200 Installation Dimensions

进出油口为F01的安装尺寸/ F01 Distributor



ITM

ITMS

STFC

STFD

CRM-HA

CRM-HB

CRM-PS

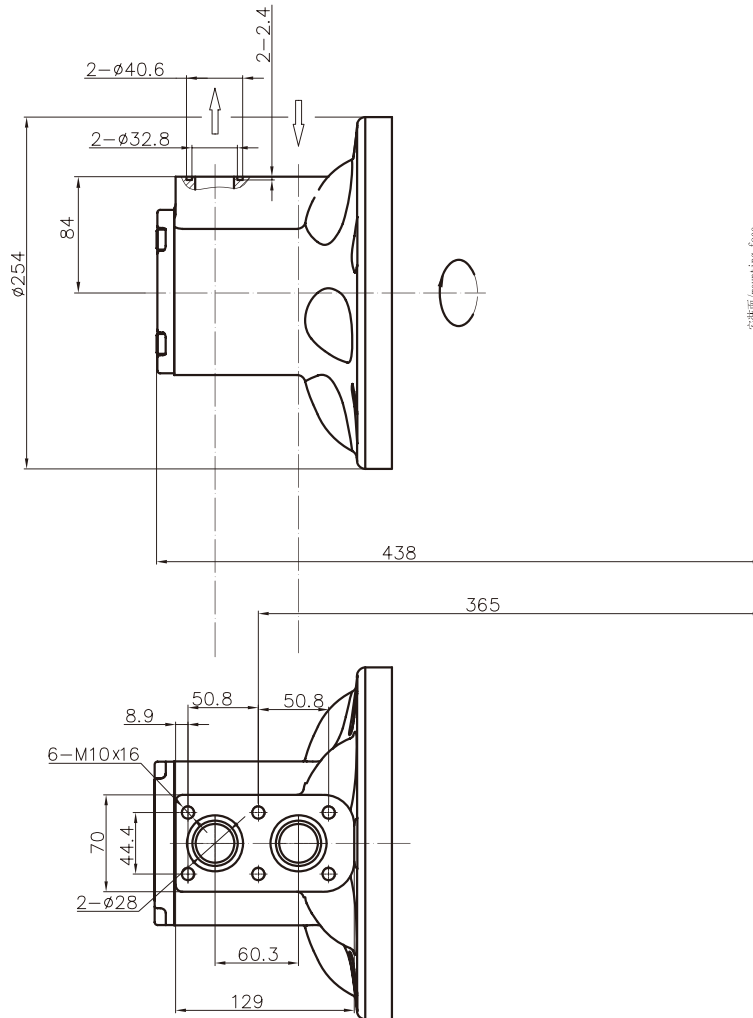
SMA6V

SMA2F

OMZ

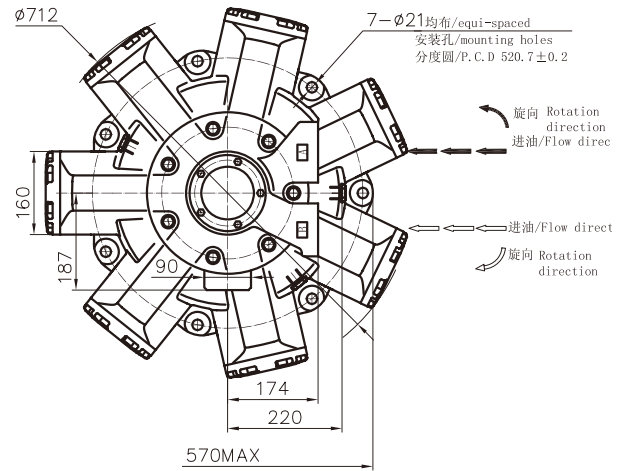
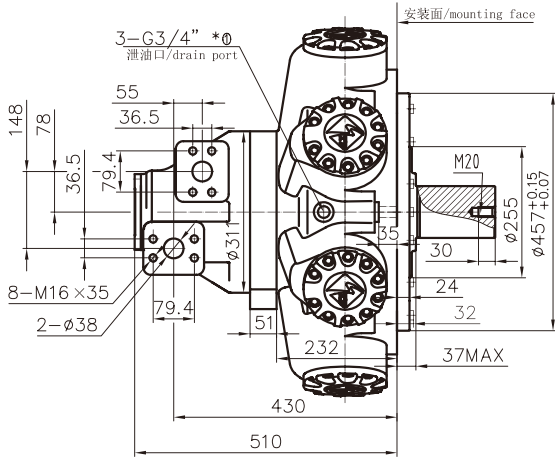
STFD200外形及安装尺寸/ STFD200 Installation Dimensions

进出油口为F01B的安装尺寸/ F01B Distributor



STFD270 外形及安装尺寸/STFD270 Installation Dimensions

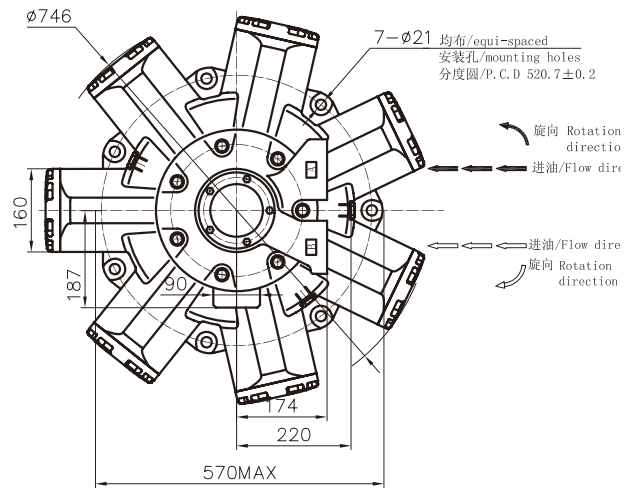
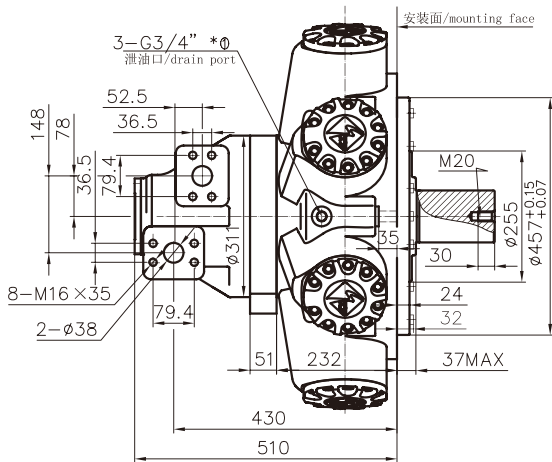
进出油口为F03的安装尺寸/With F03 Distributor



*①可选配UNF3/4"-16接头/Option: UNF3/4"-16

STFD325 外形及安装尺寸/STFD325 Installation Dimensions

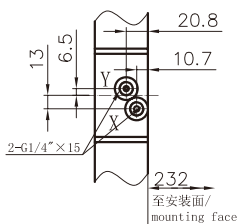
进出油口为F03的安装尺寸/With F03 Distributor



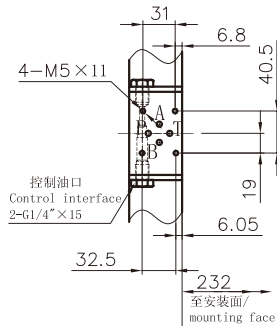
*①可选配UNF3/4"-16接头/Option: UNF3/4"-16

变量控制方式的安装尺寸/Variable Control Dimensions (编码标识/Ordering code 8)

A的安装尺寸/Dimensions

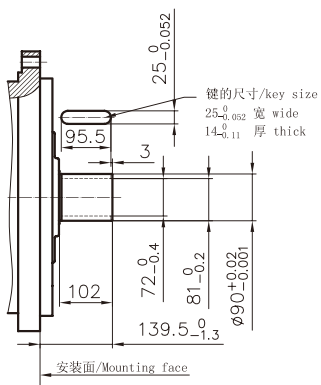


B&C&D的安装尺寸/Dimensions

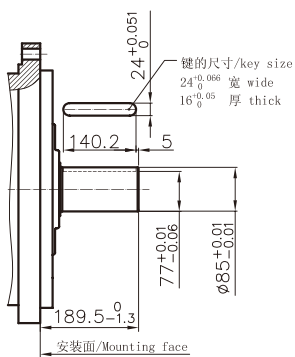


STFD270&STFD325 输出轴的安装尺寸/Shaft Options (编码标识/Ordering code 5)

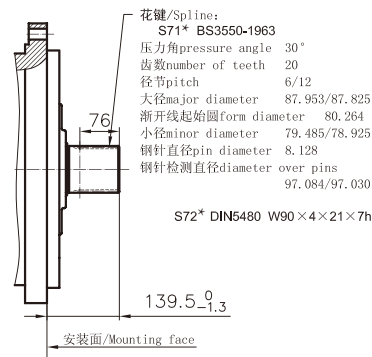
STFD270/STFD325-P71



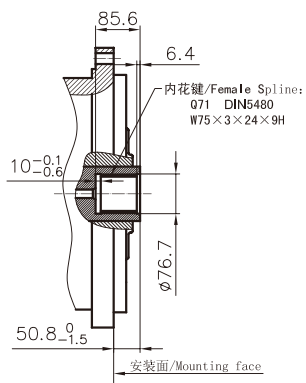
STFD270/STFD325-P73



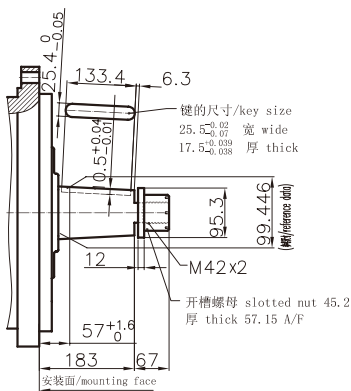
STFD270/STFD325-S71*&S72*



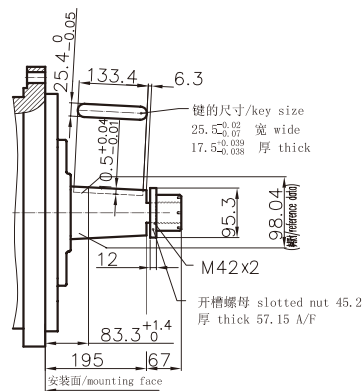
STFD270/STFD325-Q71



STFD270/STFD325-T71



STFD270/STFD325-T72

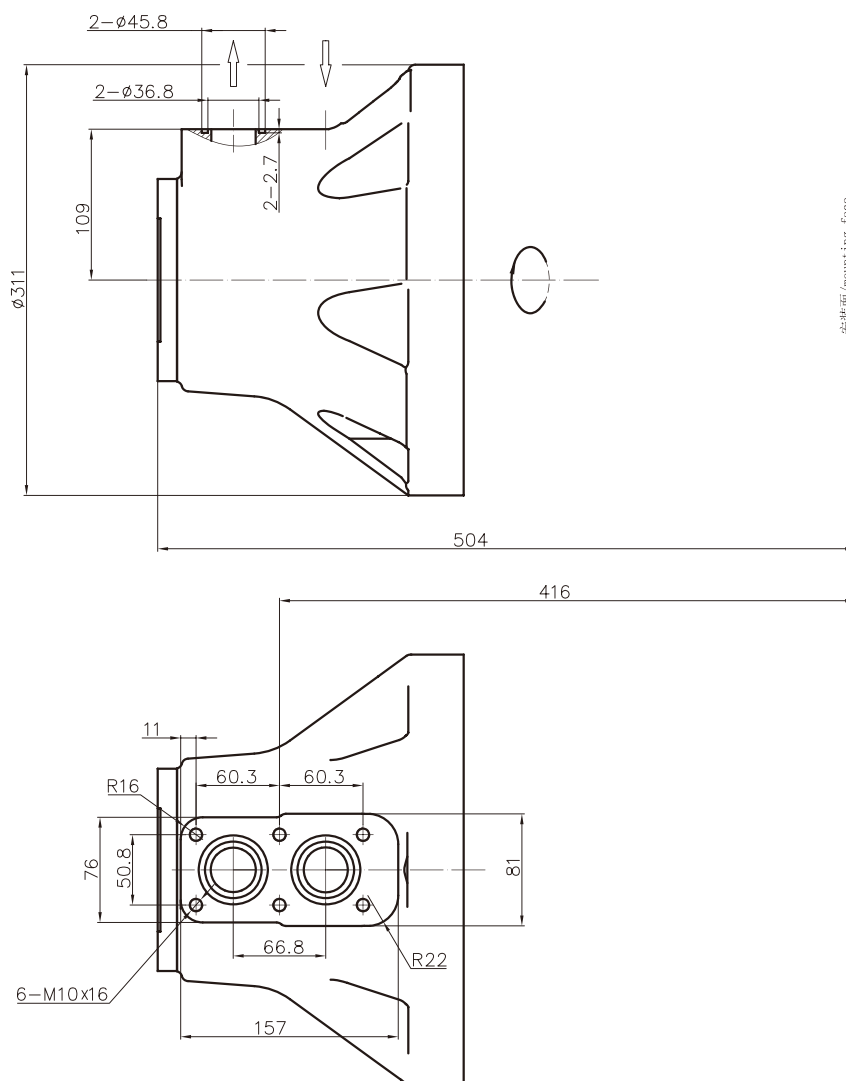


注释: S71*/S72* 为标准花键轴。

Notes: S71*/S72* = Standard Spline Shaft

STFD270/325外形及安装尺寸/ STFD270/325 Installation Dimensions

进出油口为F03B的安装尺寸/ F03B Distributor



ITM

ITMS

STFC

STFD

CRM-HA

CRM-HB

CRM-PS

SMA6V

SMA2F

OMZ