



ITMS09 外形及安装尺寸/ ITMS09 Installation Dimensions

ITM

ITMS

STFC

STFD

CRM-HA

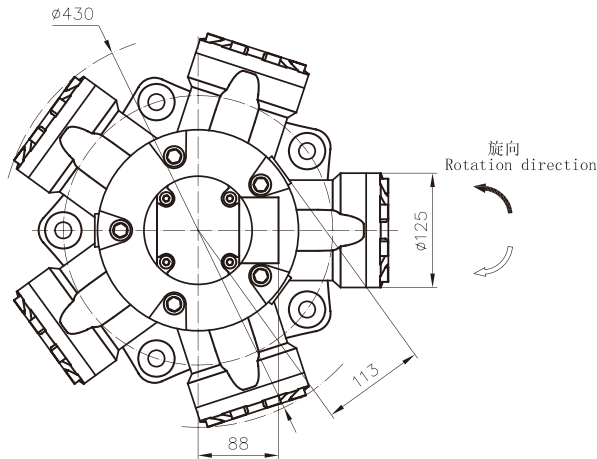
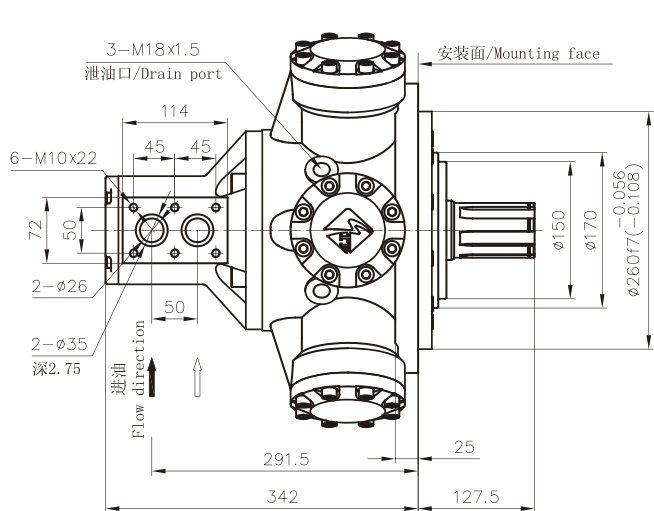
CRM-HB

CRM-PS

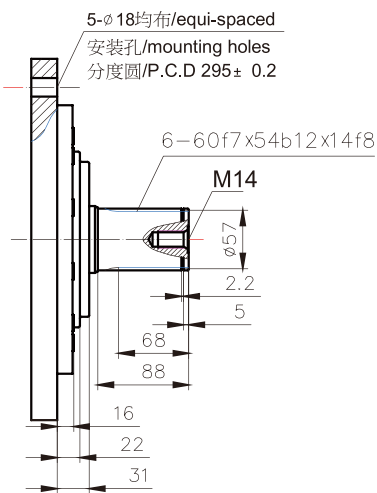
SMA6V

SMA2F

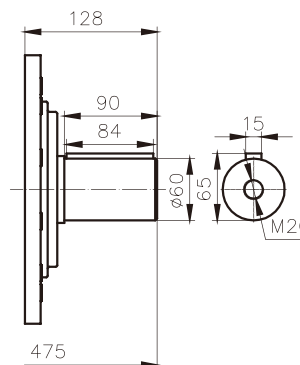
OMZ



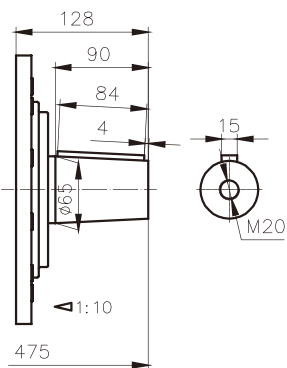
标准外花键
Standard Involute Spline : ITMS09-**



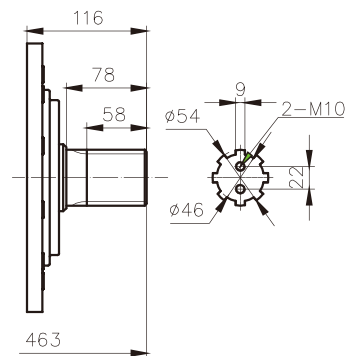
ITMS09-**JB



ITMS09-**JT



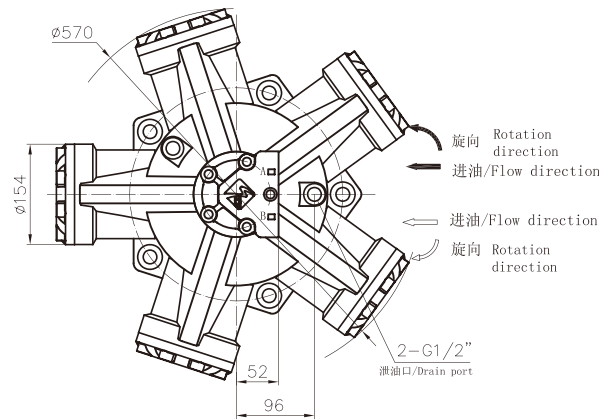
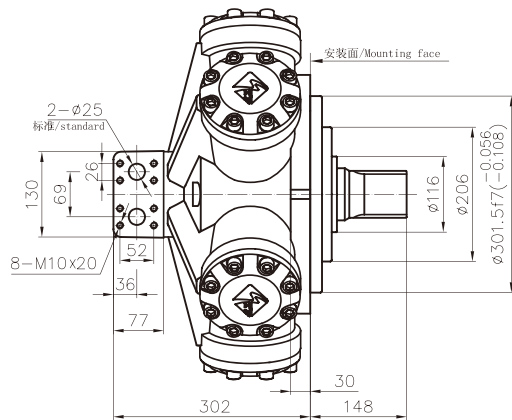
ITMS09-**JS



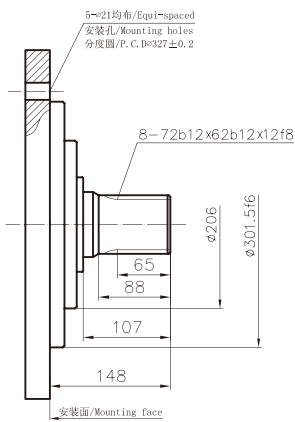
ITMS18 系列/ ITMS18 Serie



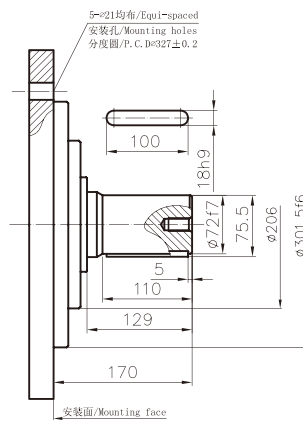
ITMS18 外形及安装尺寸/ ITMS18 Installation Dimensions



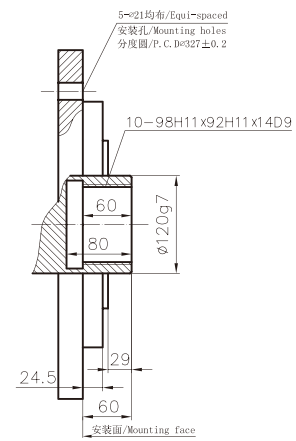
标准外花键 : ITMS18-***
Standard Involute Spline



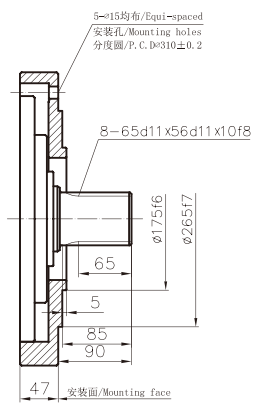
标准平键 : ITMS18-***B
Standard Parallel Key



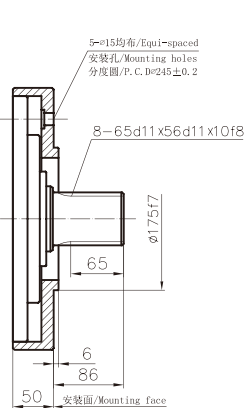
标准内花键 : ITMS18-***I
Standard Female Spline



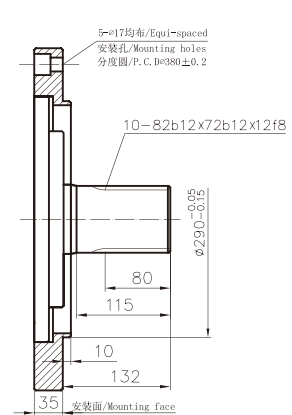
ITMS18-***SL₅



ITMS18-***SM₄



ITMS18-***N



ITM

ITMS

STFC

STFD

CRM-HA

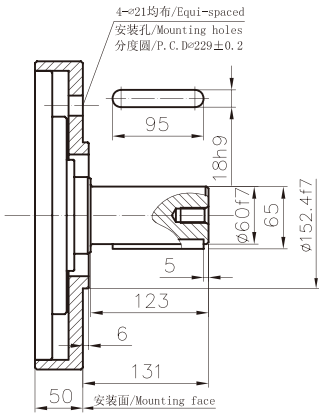
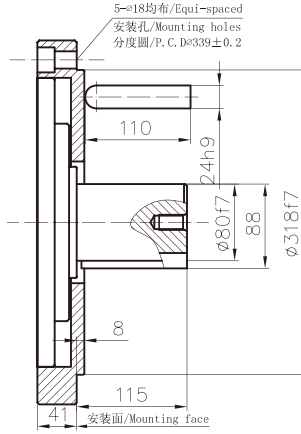
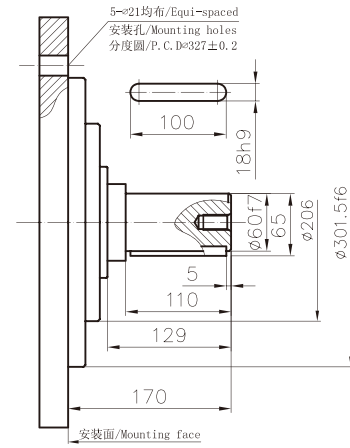
CRM-HB

CRM-PS

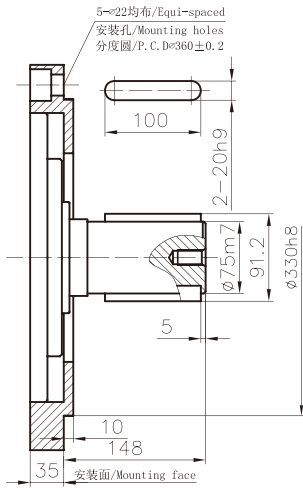
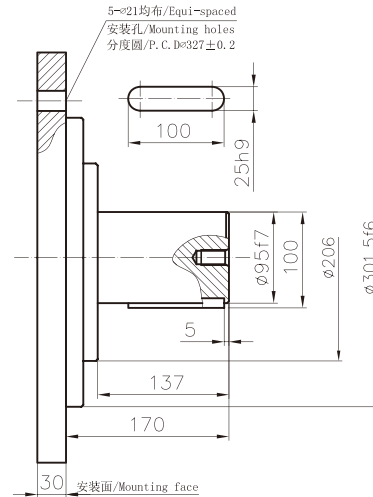
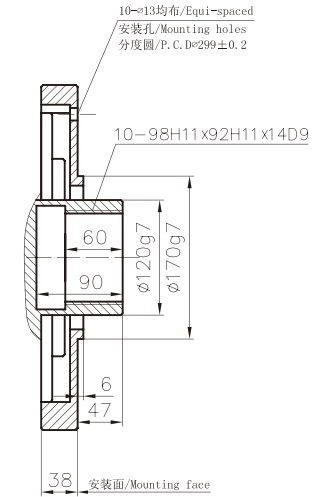
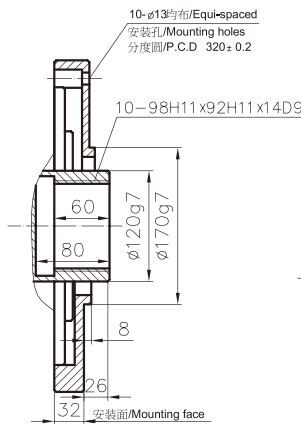
SMA6V

SMA2F

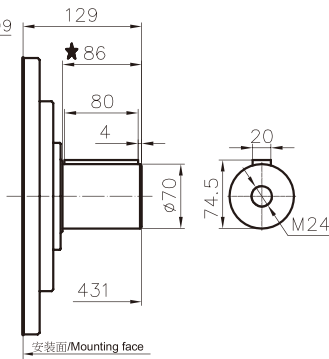
OMZ

ITMS18--**B₆ITMS18--**B₁₇ITMS18--**B₁₉

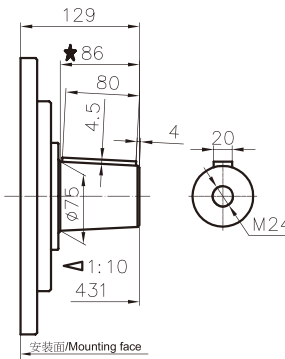
ITMS18--**D

ITMS18--**B₃₀ITMS18--**I₃₂ITMS18--**I₄₂

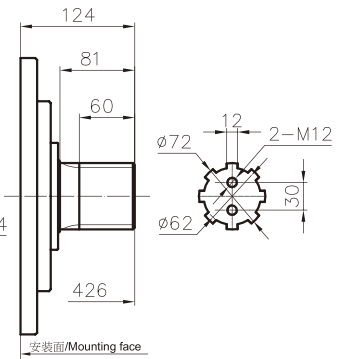
ITMS09--**JB

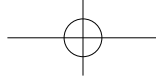


ITMS09--**JT



ITMS09--**JS



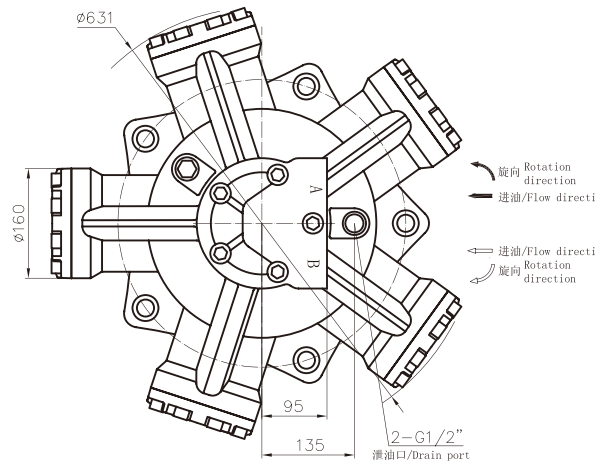
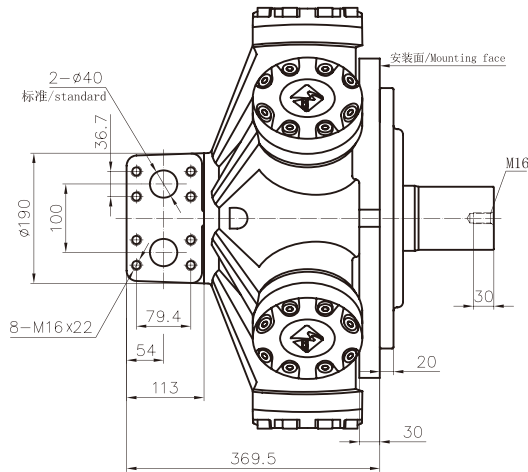


ITMS30 系列/ ITMS30 Serie

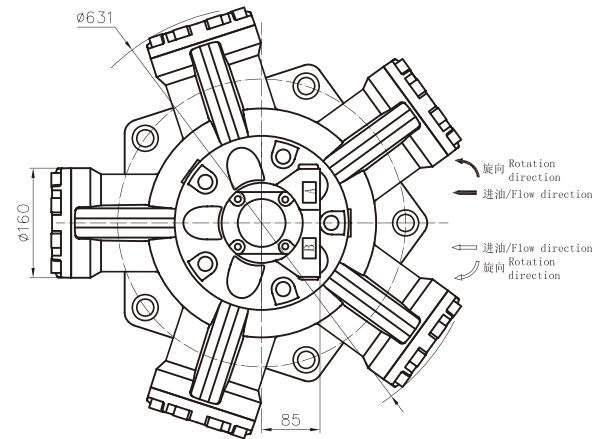
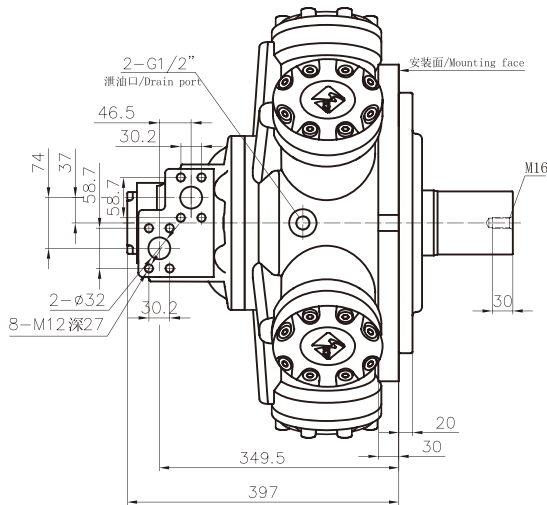


ITMS30 外形及安装尺寸/ ITMS30 Installation Dimensions

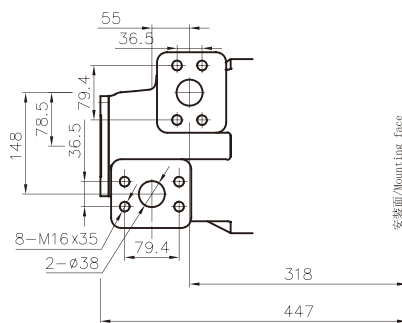
进出口为D90的安装尺寸/With D90 distributor



进出口为F01的安装尺寸/With F01 distributor



进出口为F02的安装尺寸/With F02 distributor



ITM

ITMS

STFC

STFD

CRM-HA

CRM-HB

CRM-PS

SMA6V

SMA2F

OMZ

ITM

ITMS

STFC

STFD

CRM-HA

CRM-HB

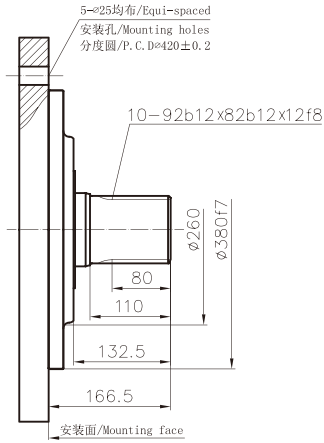
CRM-PS

SMA6V

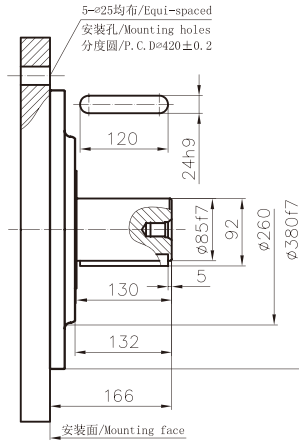
SMA2F

OMZ

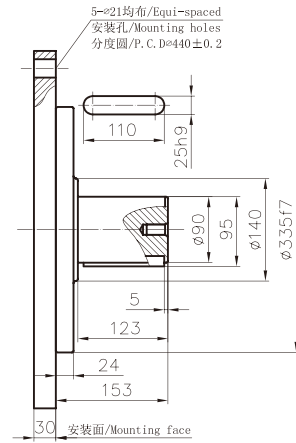
标准外花键 : ITMS30-***
Standard Involute Spline : ITMS30-***



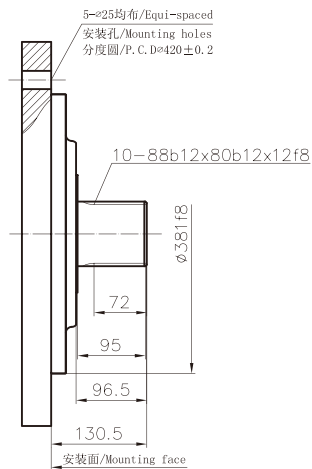
标准平键 : ITM30-***B
Standard Parallel Key : ITM30-***B



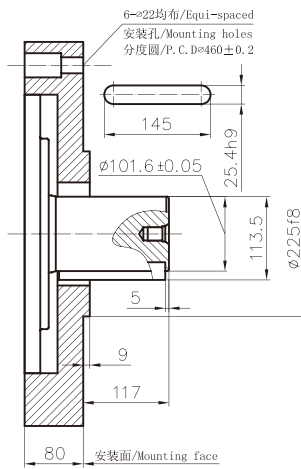
ITMS30-***CB



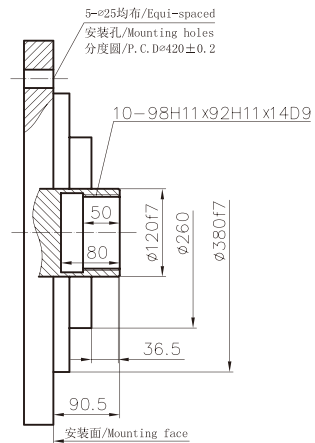
ITMS30-***SL₇



ITMS30-***B₈



标准内花键 : ITMS30-***I
Standard Female Spline : ITMS30-***I



ITMS30-***I₅₃₂

