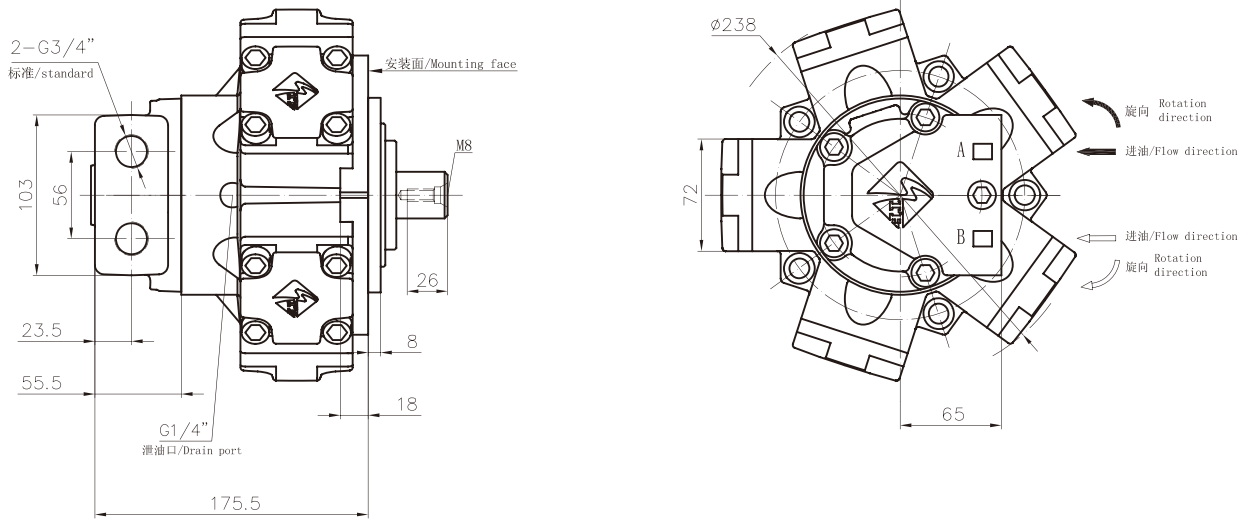


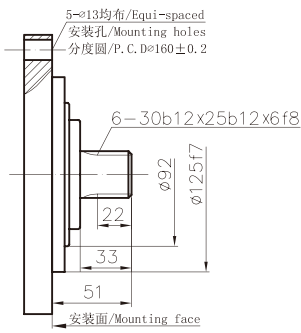
## ITM01 外形及安装尺寸/ ITM01 Installation Dimensions



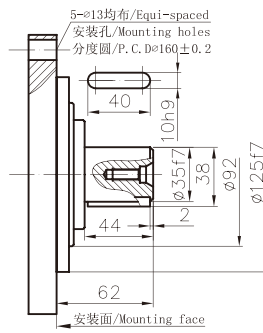
标准外花键 : ITM01-\*\*\*  
Standard Involute Spline : ITM01-\*\*\*

标准平键 : ITM01-\*\*\*B  
Standard Parallel Key : ITM01-\*\*\*B

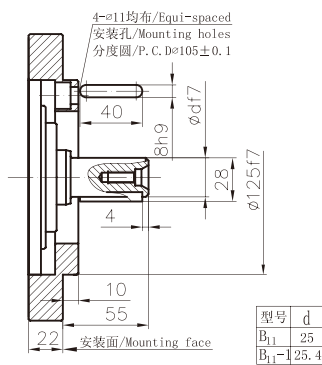
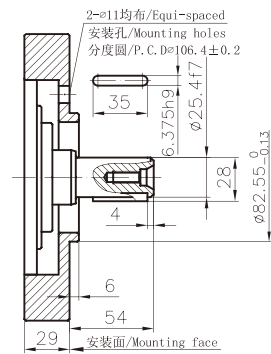
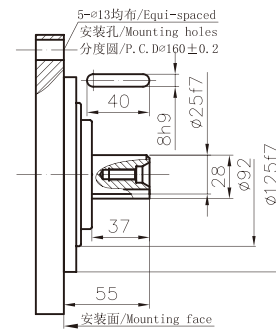
ITM01-\*\*\*B<sub>28</sub>



ITM01-\*\*\*B<sub>3</sub>



ITM01-\*\*\*B<sub>11</sub>, B<sub>11</sub>-1



型号	d
B <sub>11</sub>	25
B <sub>11</sub> -1	25.4

ITM

ITMS

STFC

STFD

CRM-HA

CRM-HB

CRM-PS

SMA6V

SMA2F

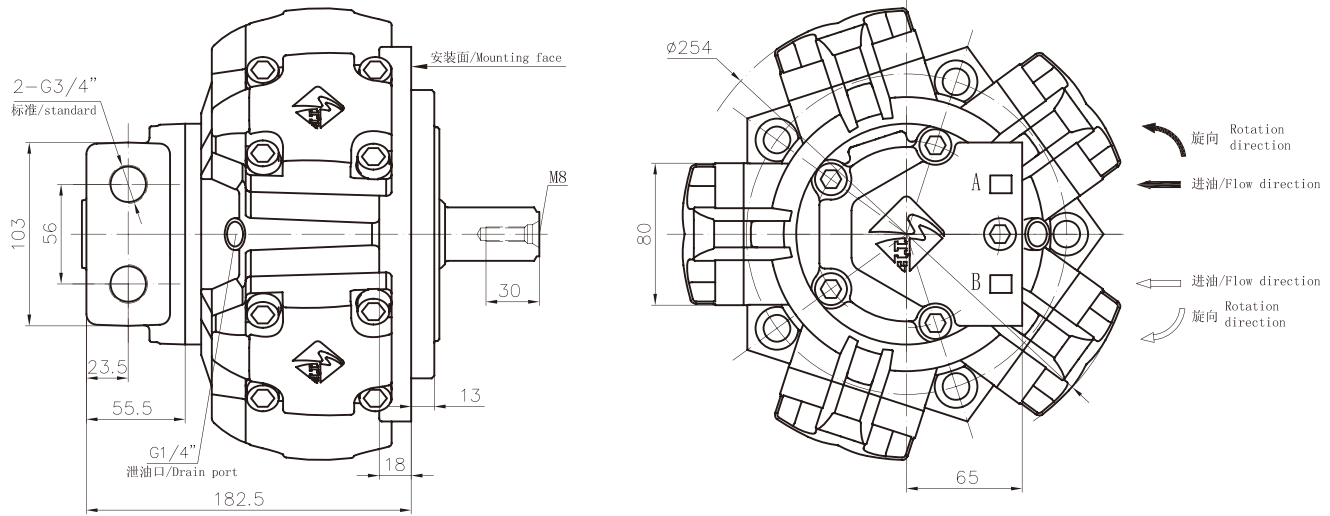
OMZ



# ITM02 系列/ ITM02 Serie



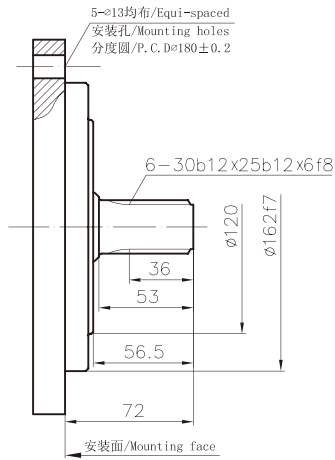
## ITM02 外形及安装尺寸/ ITM02 Installation Dimensions



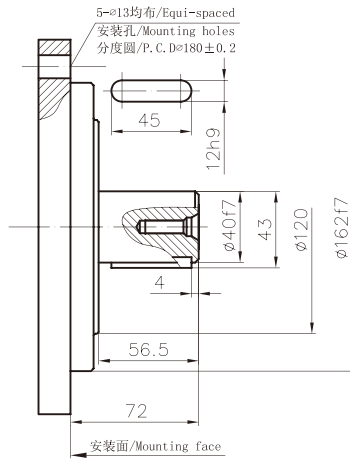
标准外花键 : ITM02-\*\*\*  
Standard Involute Spline : ITM02-\*\*\*

标准平键 : ITM02-\*\*\*B  
Standard Parallel Key : ITM02-\*\*\*B

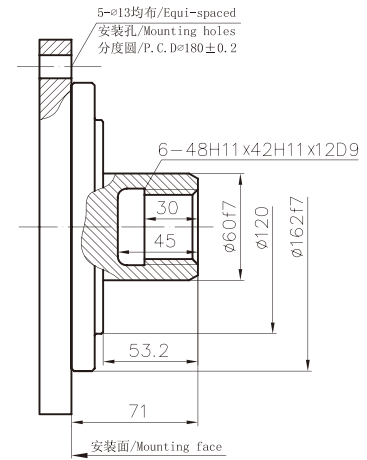
标准内花键 : ITM02-\*\*\*I  
Standard Female Spline : ITM02-\*\*\*I



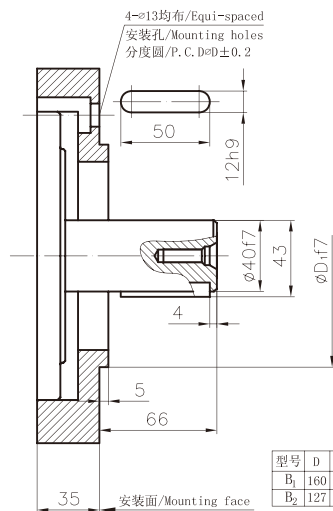
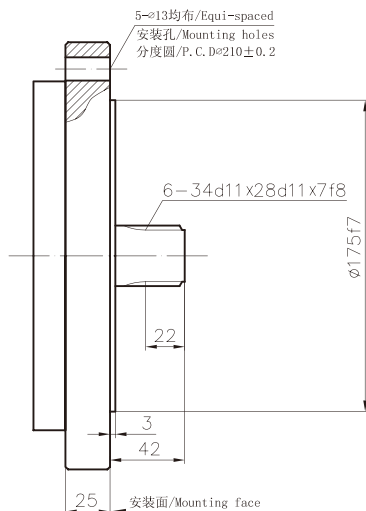
ITM02-\*\*\*SL<sub>1</sub>



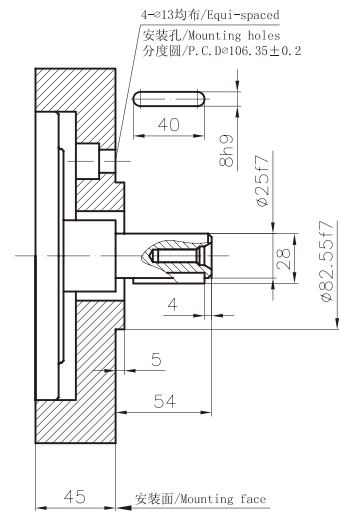
ITM02-\*\*\*B<sub>1</sub>、B<sub>2</sub>

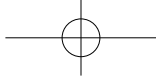


ITM02-\*\*\*B<sub>24</sub>



型号	D	D <sub>1</sub>
B <sub>1</sub>	160	125
B <sub>2</sub>	127	100





ITM

ITMS

STFC

STFD

CRM-HA

CRM-HB

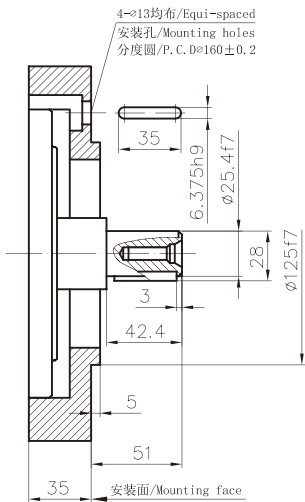
CRM-PS

SMA6V

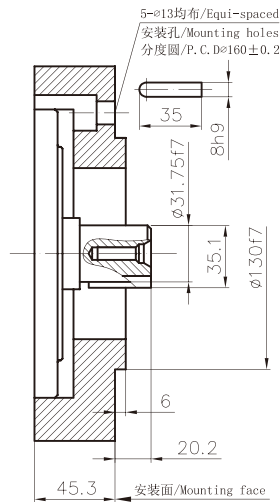
SMA2F

OMZ

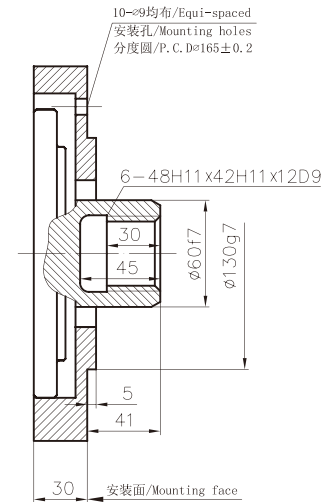
ITM02-\*\*\*B<sub>3</sub>



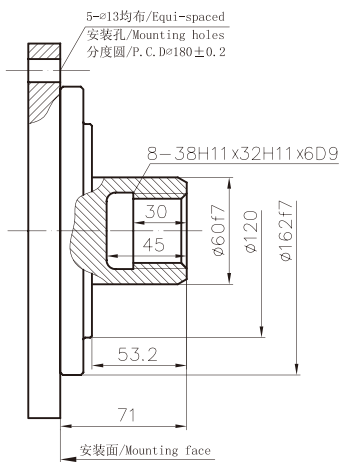
ITM02-\*\*\*B<sub>14</sub>

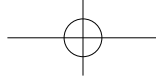


ITM02-\*\*\*I<sub>01</sub>、I<sub>02</sub>



ITM02-\*\*\*I<sub>03</sub>

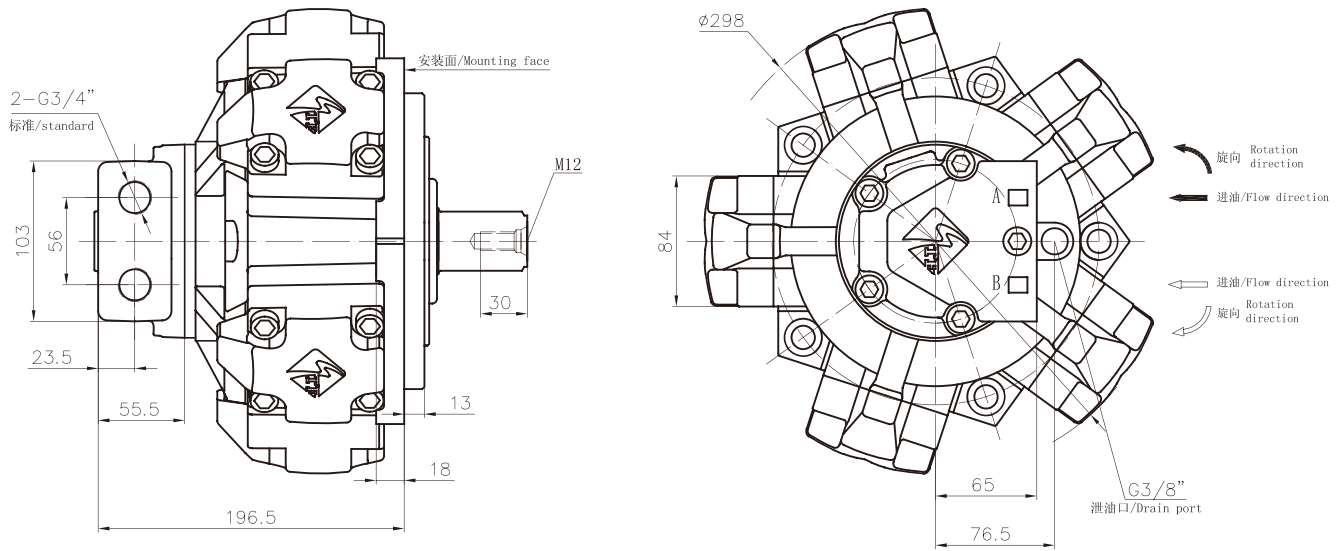




# ITM03 系列/ ITM03 Serie



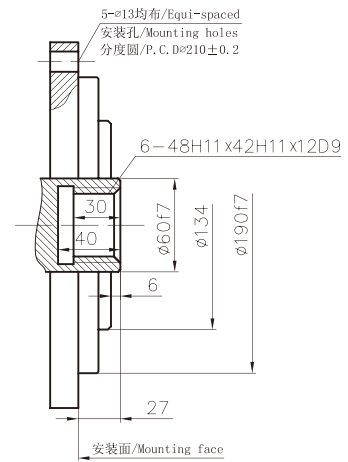
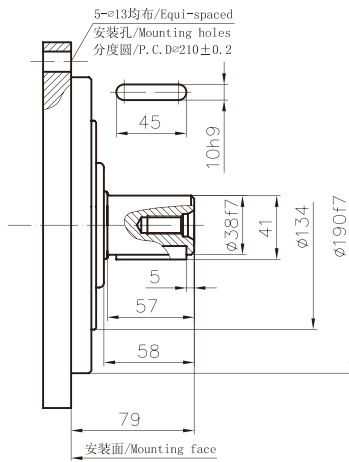
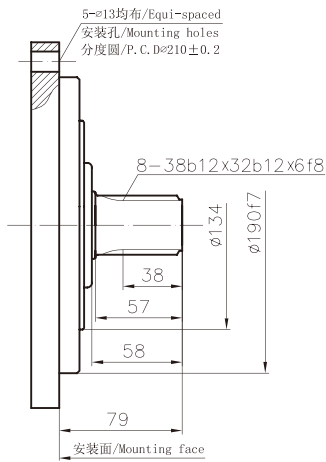
## ITM03 外形及安装尺寸/ ITM03 Installation Dimensions



标准外花键 : ITM03-\*\*\*  
Standard External Spline

标准平键 : ITM03-\*\*\*B  
Standard Parallel Key

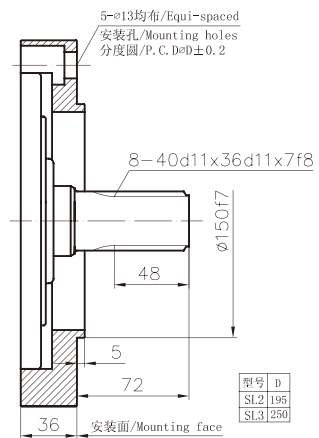
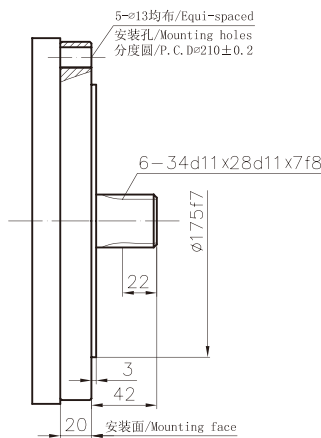
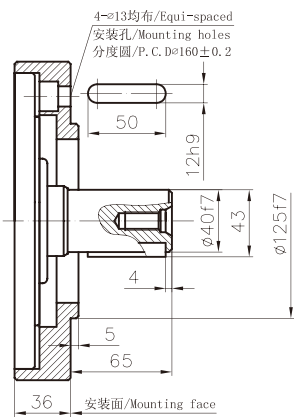
标准内花键 : ITM03-\*\*\*I  
Standard Female Spline



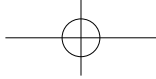
ITM03-\*\*\*B<sub>1</sub>

ITM03-\*\*\*SL<sub>1</sub>

ITM03-\*\*\*SL<sub>2</sub>, SL<sub>3</sub>



型号	D
SL <sub>2</sub>	195
SL <sub>3</sub>	250



ITM

ITMS

STFC

STFD

CRM-HA

CRM-HB

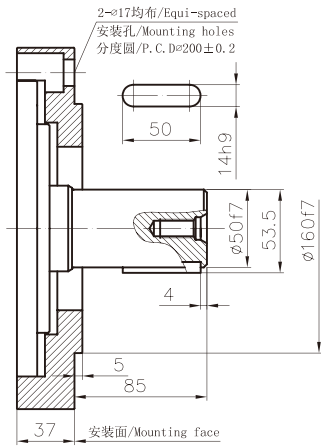
CRM-PS

SMA6V

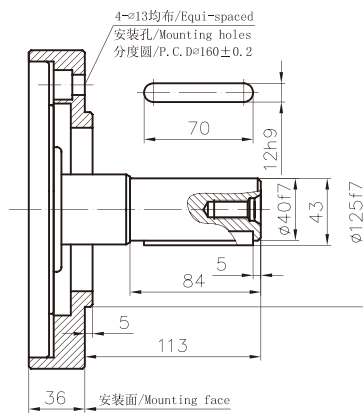
SMA2F

OMZ

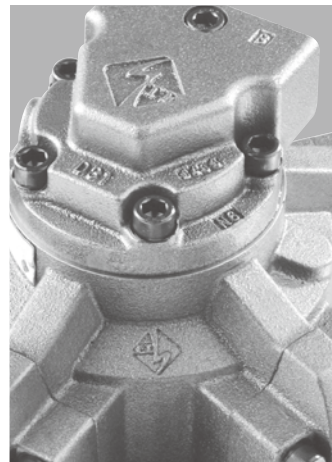
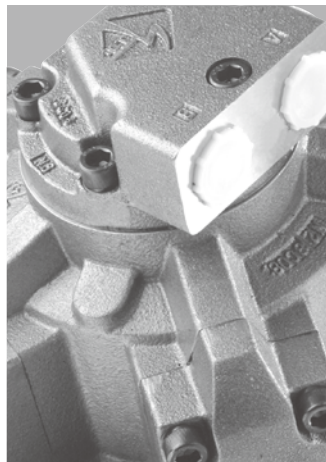
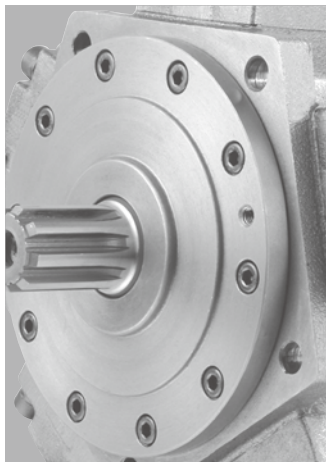
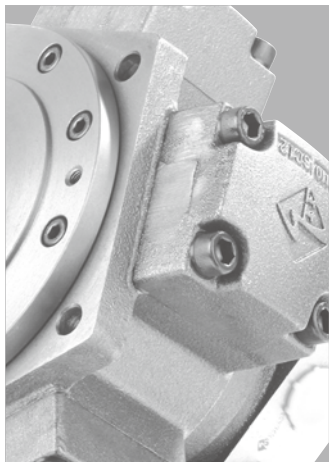
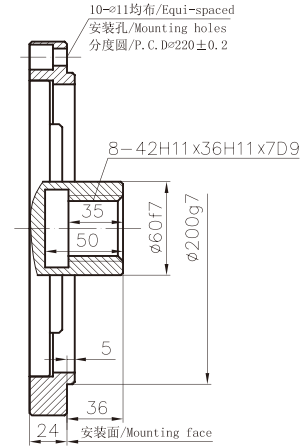
ITM03--\*\*B<sub>2</sub>



ITM03--\*\*B<sub>5</sub>



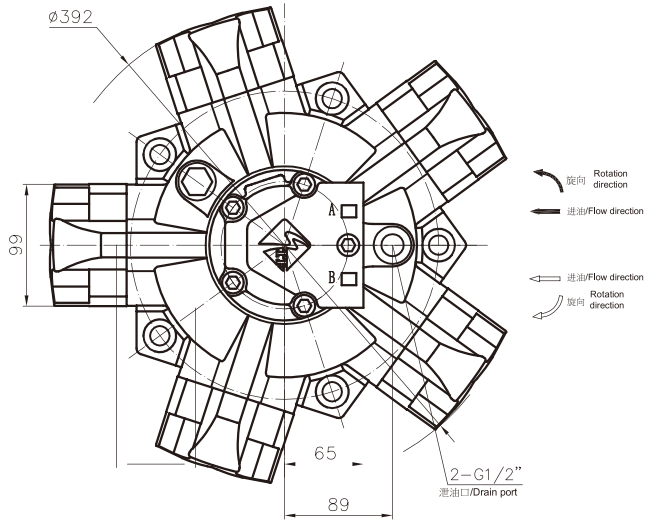
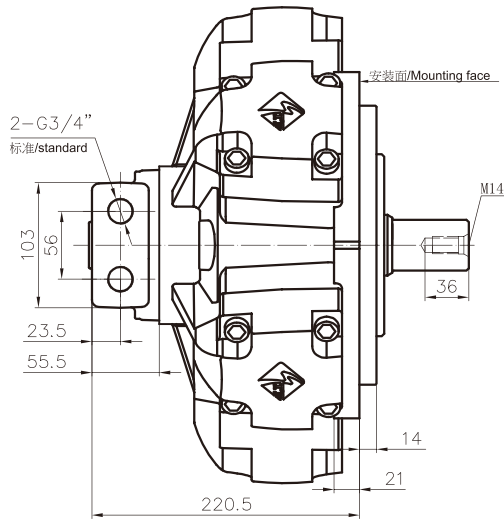
ITM03--\*\*I<sub>1A1</sub>



# ITM06 系列/ ITM06 Serie



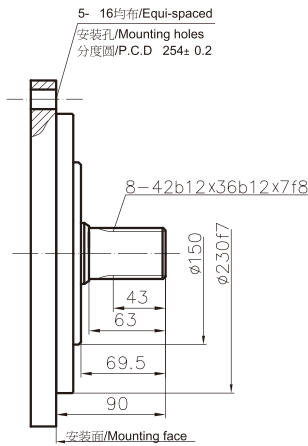
## ITM06 外形及安装尺寸/ ITM06 Installation Dimensions



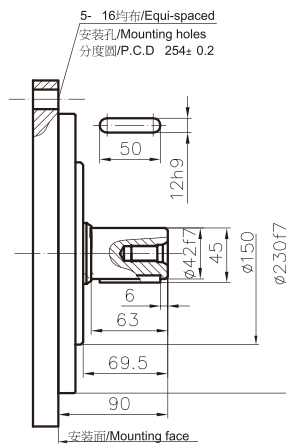
标准外花键 : ITM06-\*\*\*  
Standard Involute Spline

标准平键 : ITM06-\*\*\*B  
Standard Parallel Key

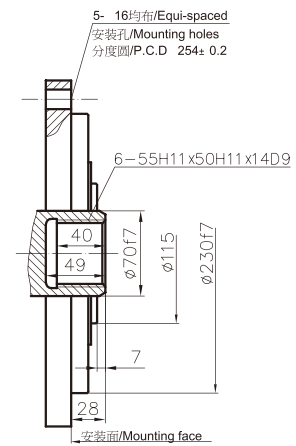
标准内花键 : ITM06-\*\*\*I  
Standard Female Spline



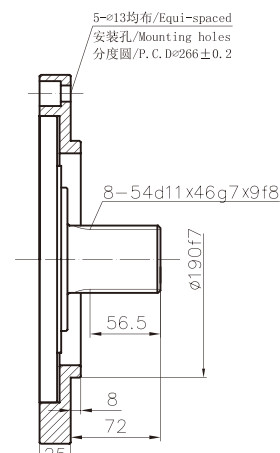
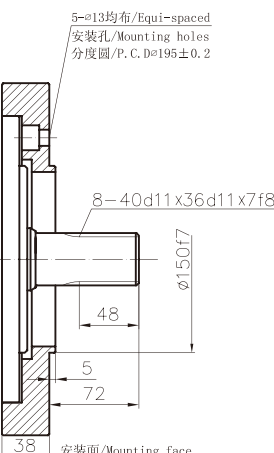
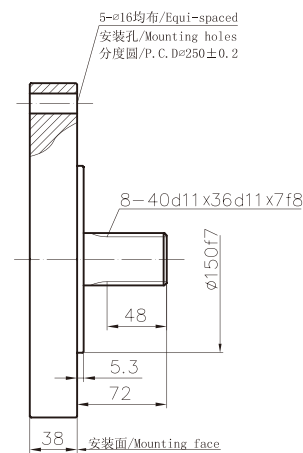
ITM06-\*\*\*SL<sub>3</sub>

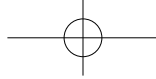


ITM06-\*\*\*SL<sub>2</sub>



ITM06-\*\*\*N





ITM

ITMS

STFC

STFD

CRM-HA

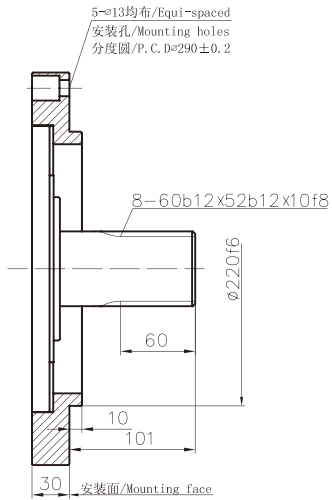
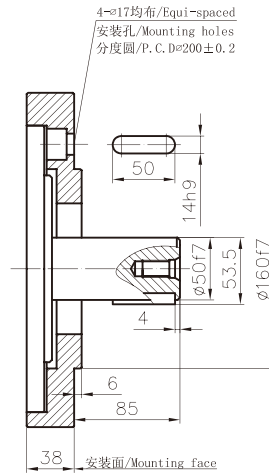
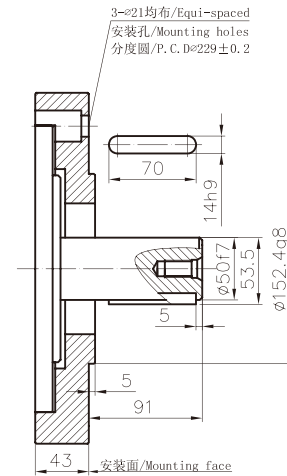
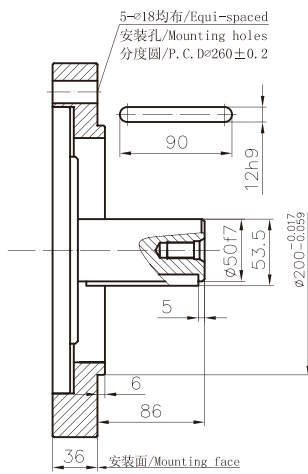
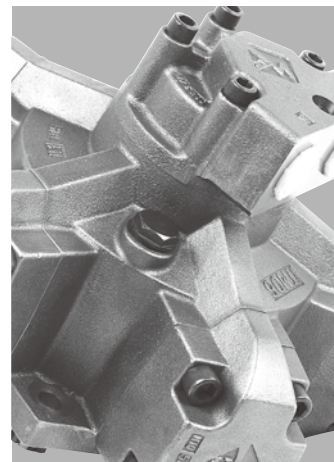
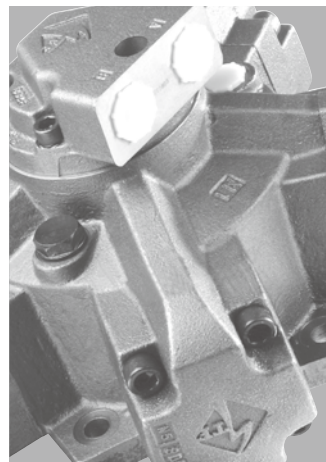
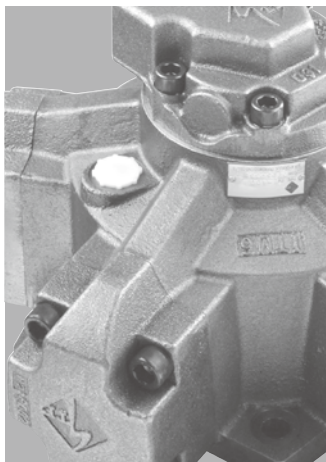
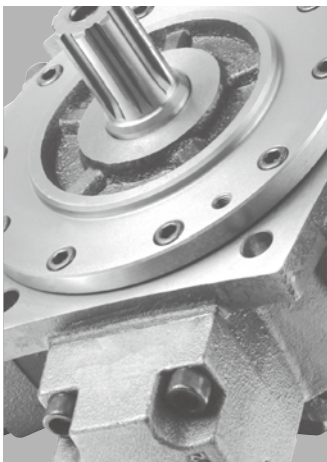
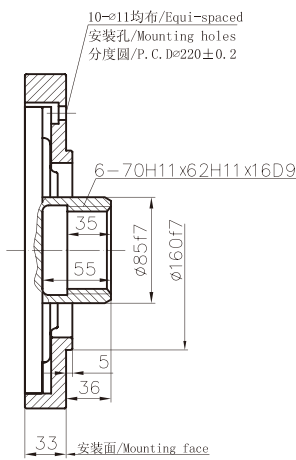
CRM-HB

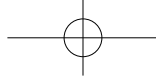
CRM-PS

SMA6V

SMA2F

OMZ

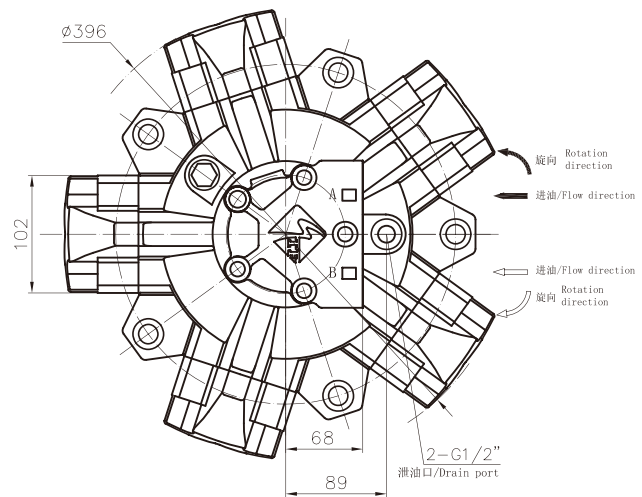
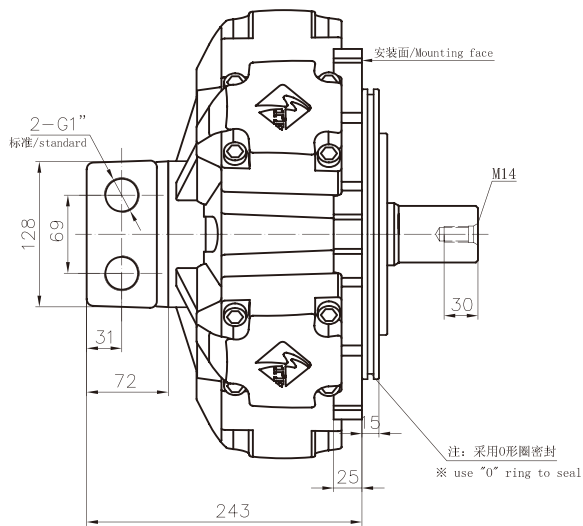
ITM06-\*\*\*N<sub>1</sub>ITM06-\*\*\*B<sub>2</sub>ITM06-\*\*\*B<sub>4</sub>ITM06-\*\*\*B<sub>13</sub>ITM06-\*\*\*I<sub>11</sub>



# ITM08 系列/ ITM08 Serie



## ITM08 外形及安装尺寸/ ITM08 Installation Dimensions

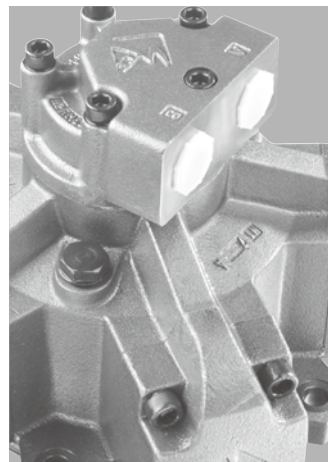
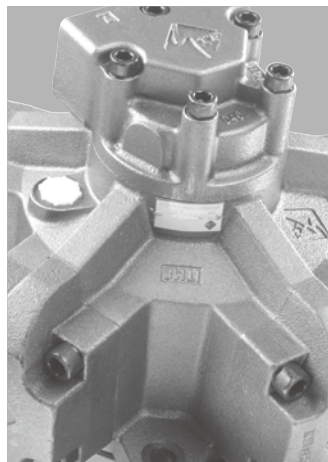
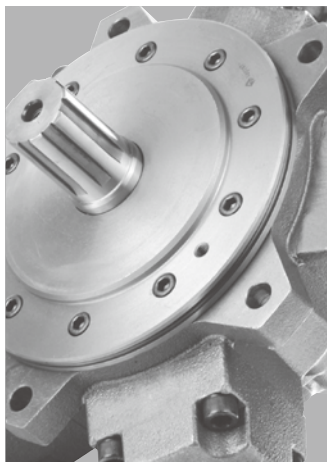
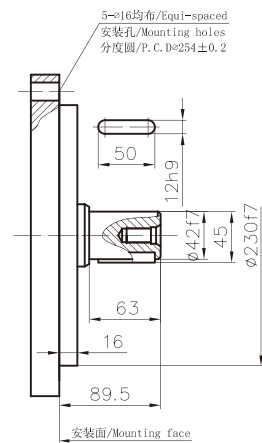
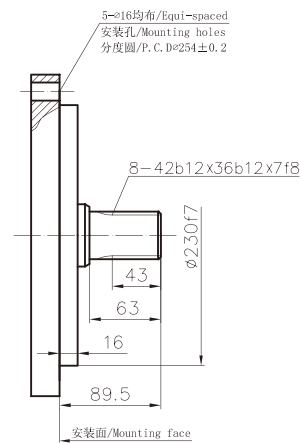
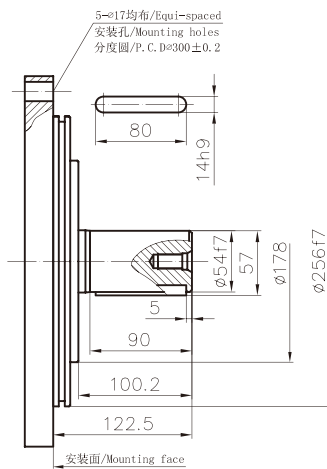
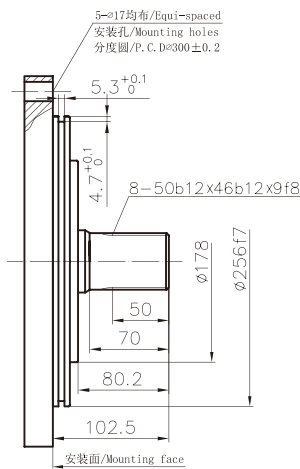


标准外花键 : ITM08--\*\*  
Standard Involute Spline

标准平键 : ITM08--\*\*B  
Standard Parallel Key

ITM08--\*\*6M

ITM08--\*\*6MB



ITM

ITMS

STFC

STFD

CRM-HA

CRM-HB

CRM-PS

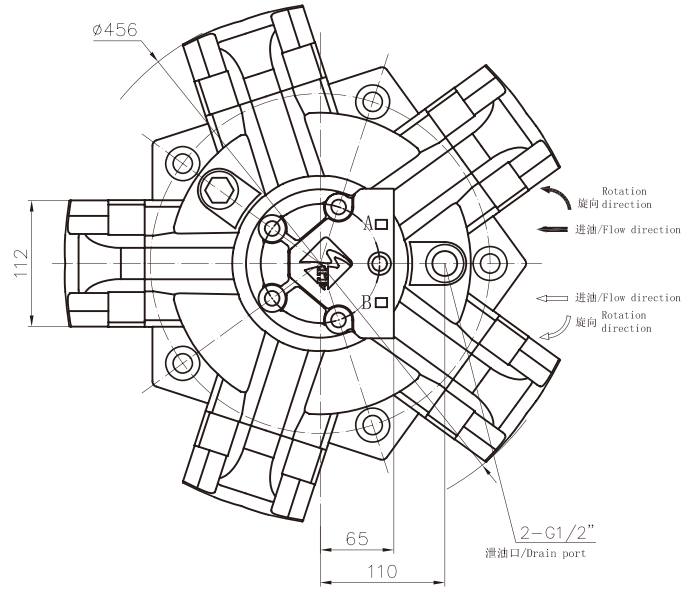
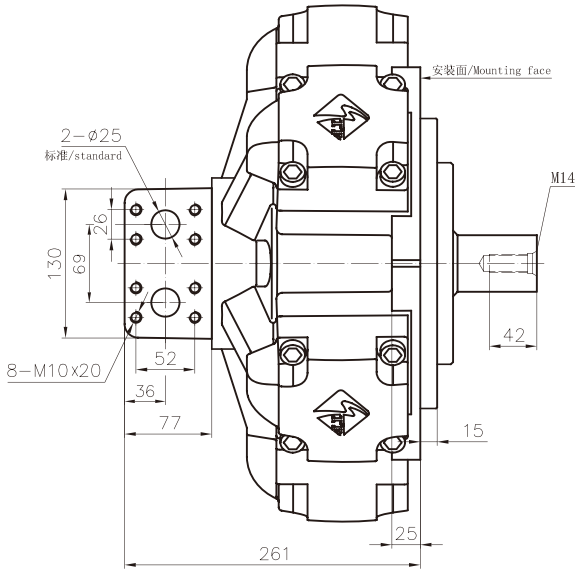
SMA6V

SMA2F

OMZ



## ITM11 外形及安装尺寸/ ITM11 Installation Dimensions

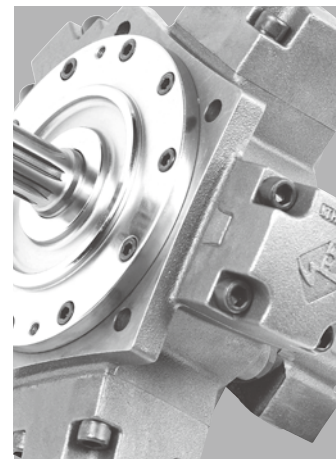
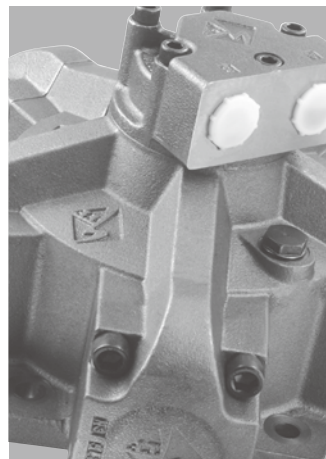
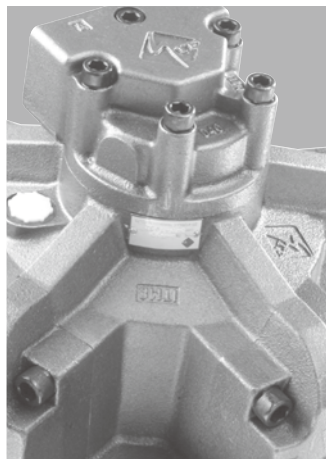
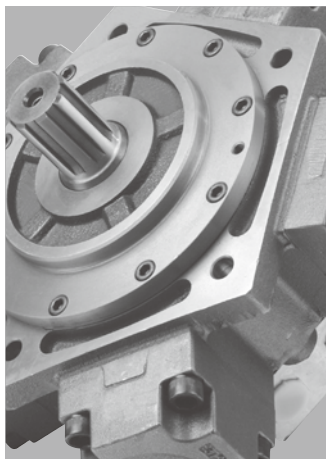
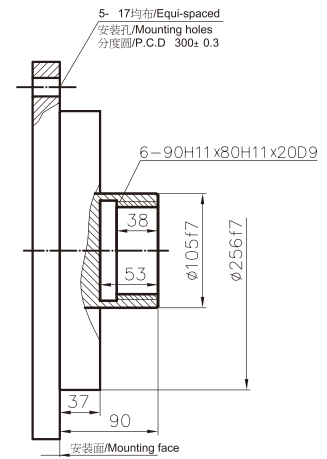
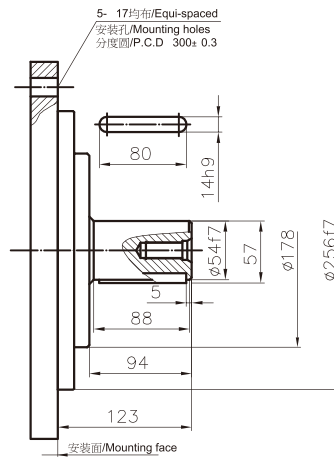
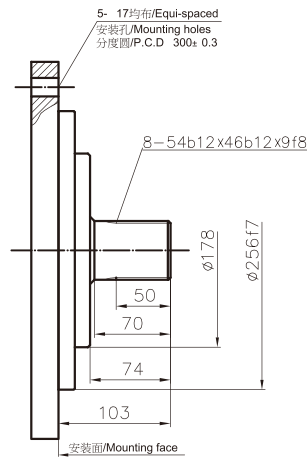
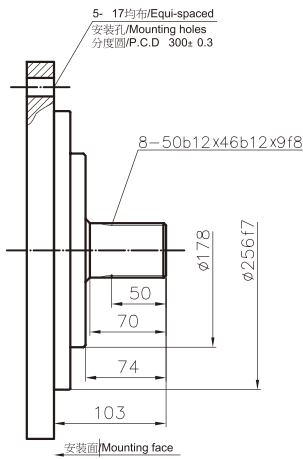


标准外花键 : ITM11-\*\*  
Standard Involute Spline

标准外花键 : ITM11-H54  
Standard Involute Spline

标准平键 : ITM11-\*\*B  
Standard Parallel Key

标准内花键 : ITM11-\*\*I  
Standard Female Spline

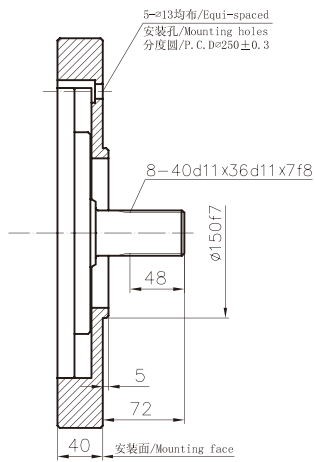




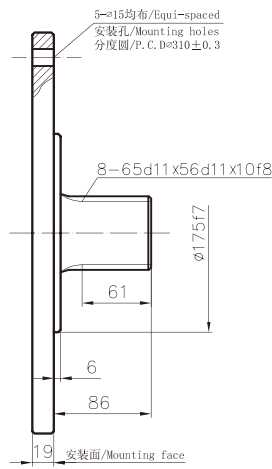
# ITM11 系列/ ITM11 Serie



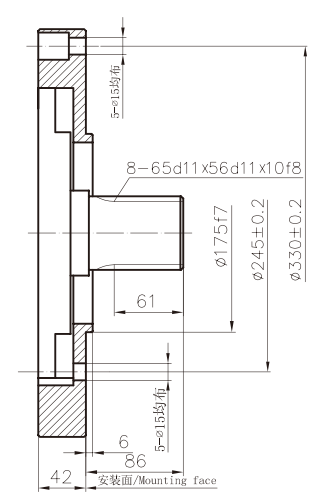
ITM11-\*\*\*SL<sub>3</sub>



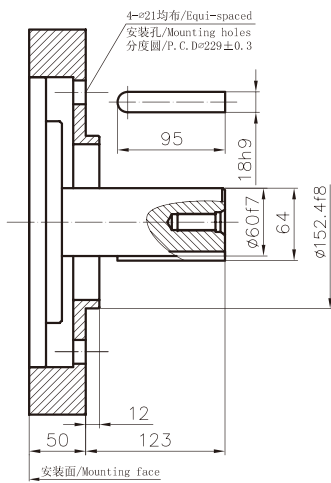
ITM11-\*\*\*SL<sub>4</sub>



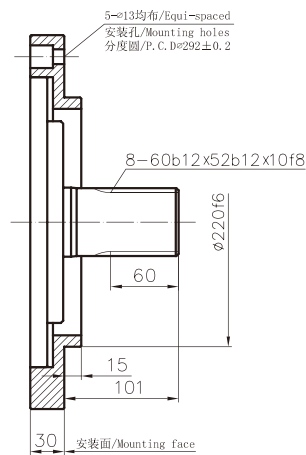
ITM11-\*\*\*SM<sub>4</sub>



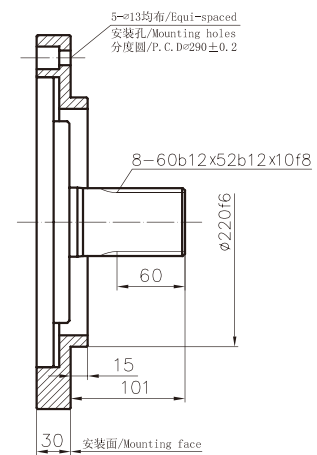
ITM11-\*\*\*B<sub>6</sub>



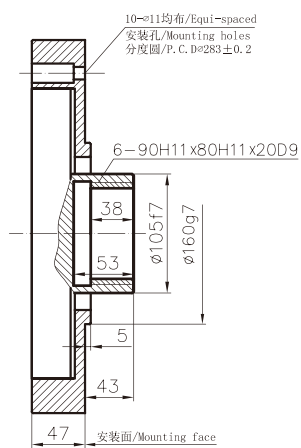
ITM11-\*\*\*N<sub>1</sub>



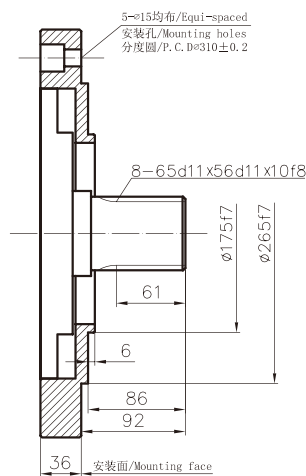
ITM11-\*\*\*N<sub>2</sub>



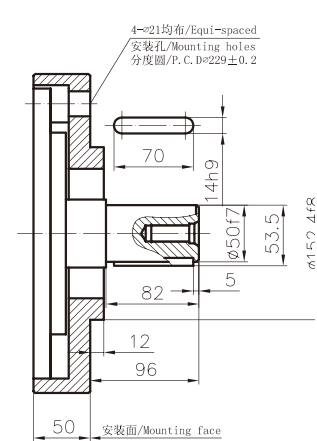
ITM11-\*\*\*I<sub>21</sub>



ITM11-\*\*\*SL<sub>5</sub>



ITM11-\*\*\*B<sub>4</sub>



ITM

ITMS

STFC

STFD

CRM-HA

CRM-HB

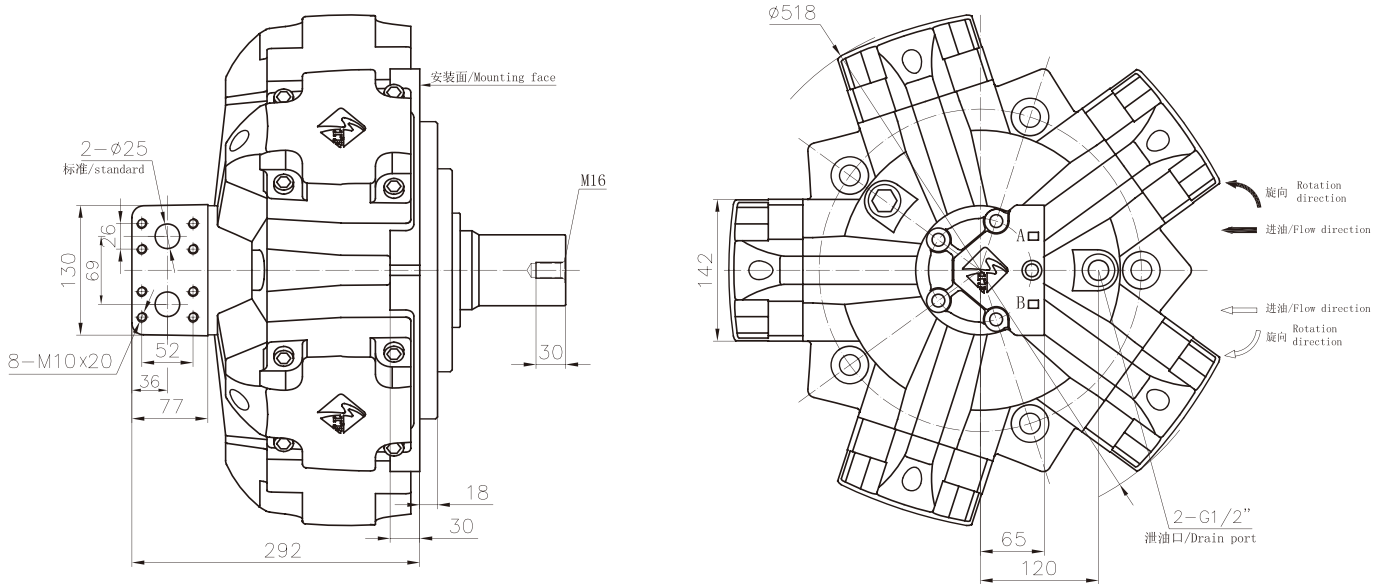
CRM-PS

SMA6V

SMA2F

OMZ

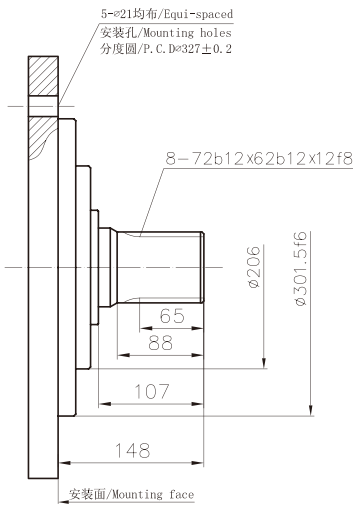
ITM16 外形及安装尺寸/ ITM16 Installation Dimensions



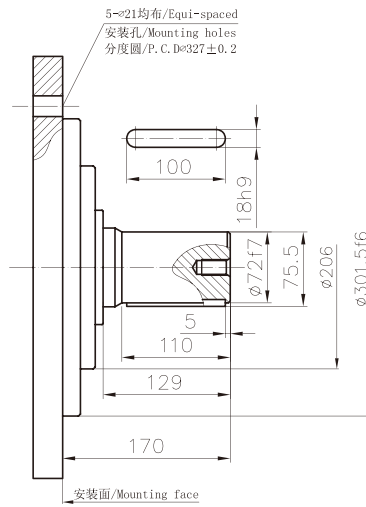
标准外花键 : ITM16-\*\*\*  
Standard Involute Spline

标准平键 : ITM16-\*\*\*B  
Standard Parallel Key

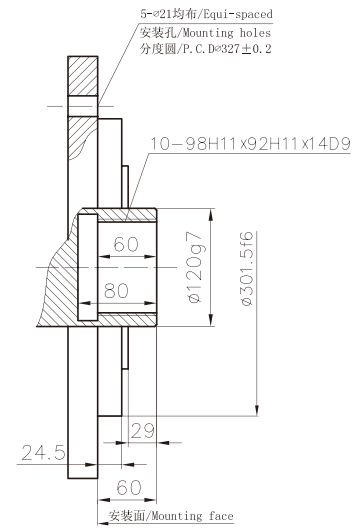
标准内花键 : ITM16-\*\*\*I  
Standard Female Spline



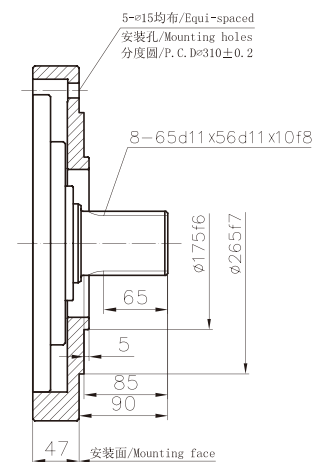
ITM16-\*\*\*SL<sub>5</sub>



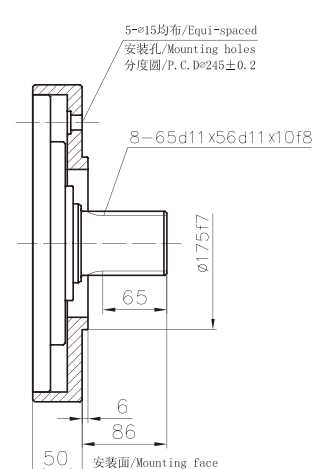
ITM16-\*\*\*SM<sub>4</sub>



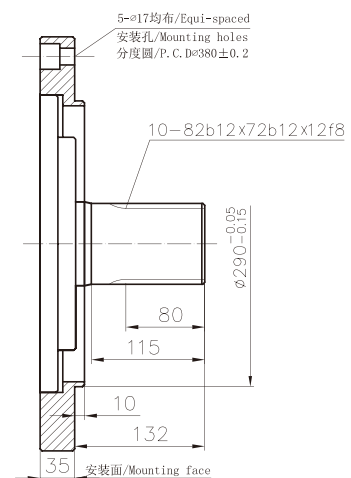
ITM16-\*\*\*N

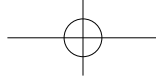


SMA2F

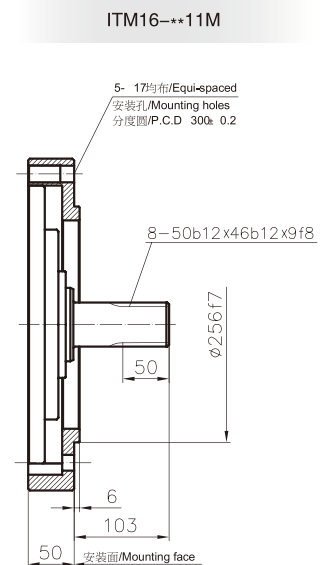
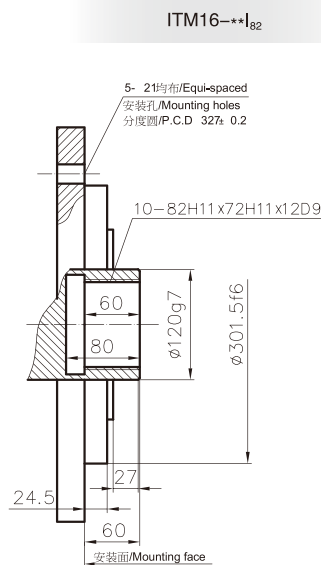
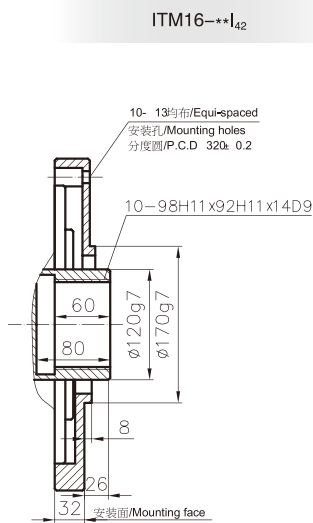
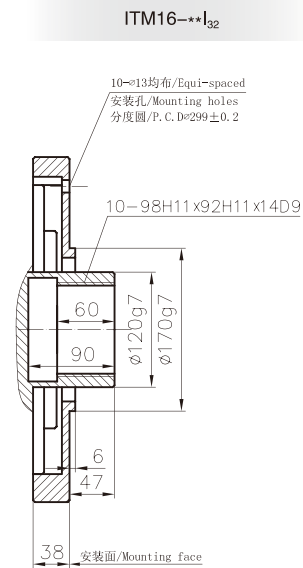
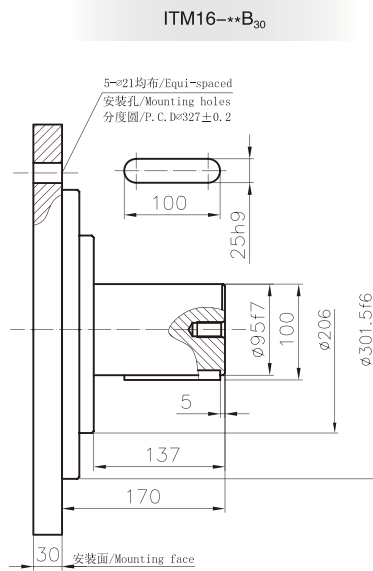
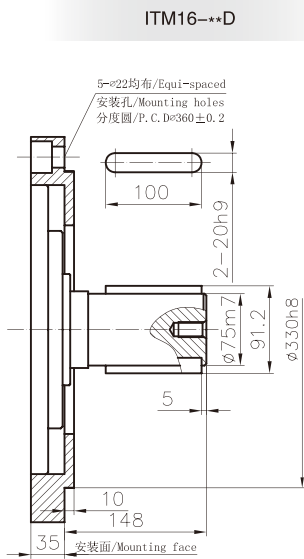
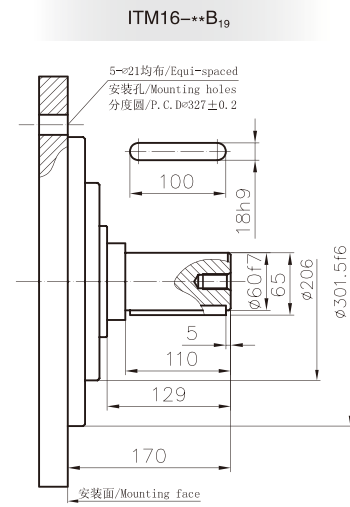
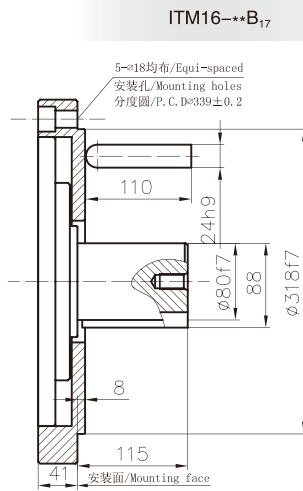
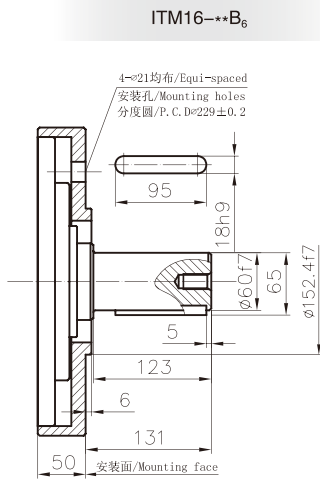


OMZ





# ITM16 系列/ ITM16 Serie



ITM

ITMS

STFC

STFD

CRM-HA

CRM-HB

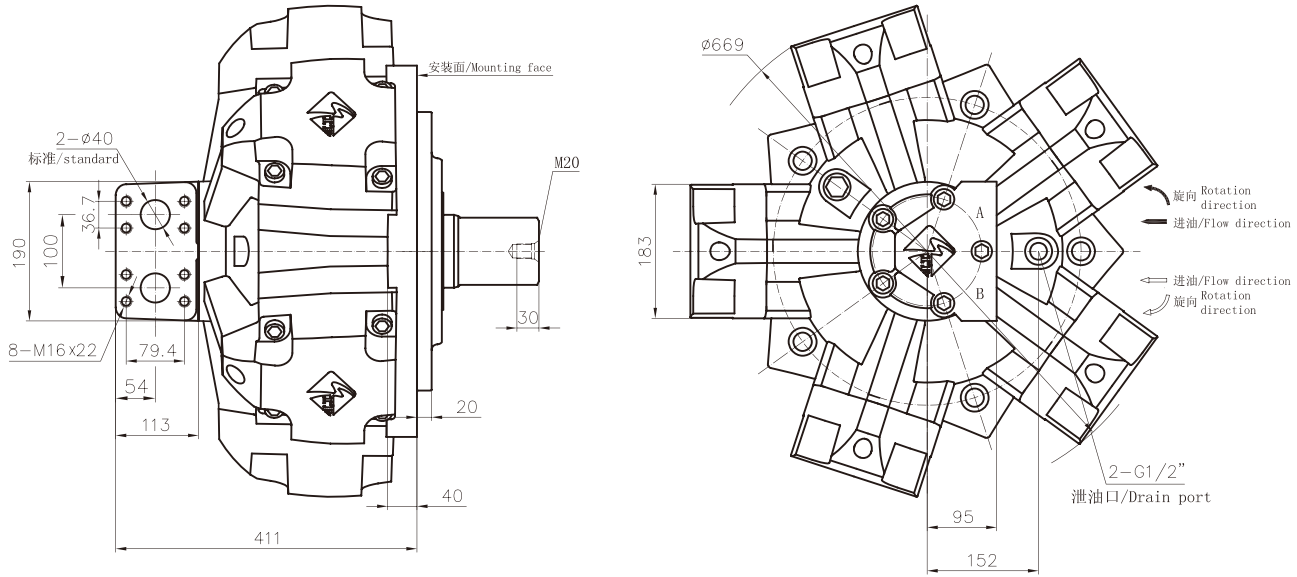
CRM-PS

SMA6V

SMA2F

OMZ

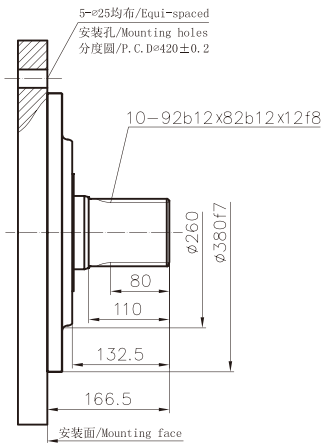
ITM31 外形及安装尺寸/ ITM31 Installation Dimensions



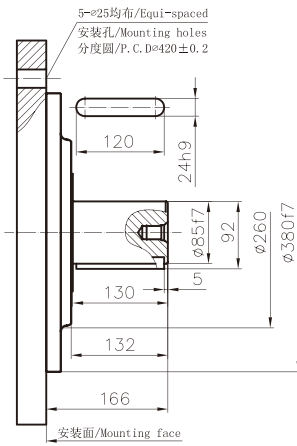
标准外花键 : ITM31---  
Standard Involute Spline : ITM31---

标准平键 : ITM31---B  
Standard Parallel Key : ITM31---B

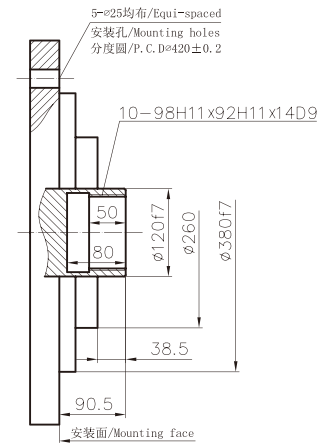
标准内花键 : ITM31---I  
Standard Female Spline : ITM31---I



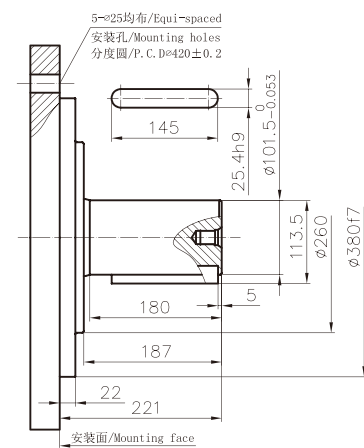
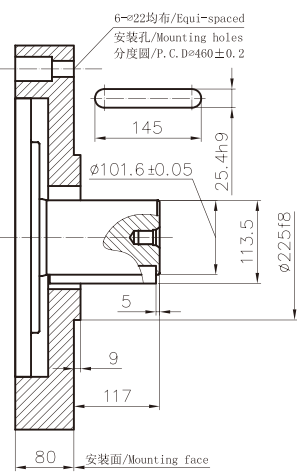
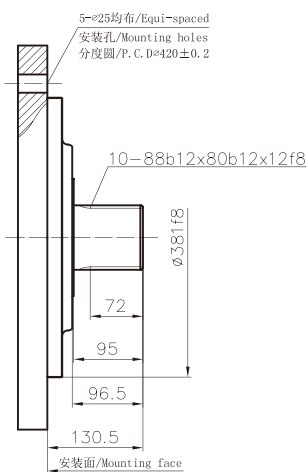
ITM31---SL<sub>7</sub>

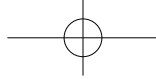


ITM31---B<sub>8</sub>

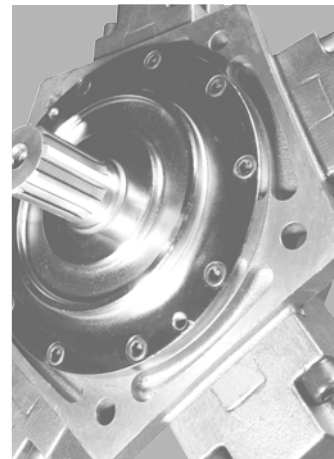
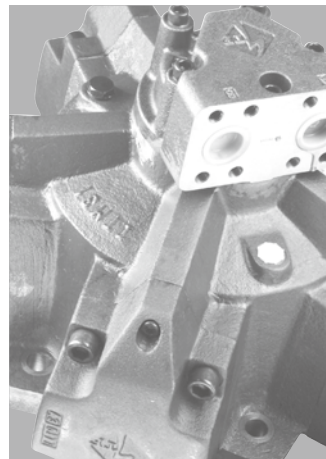
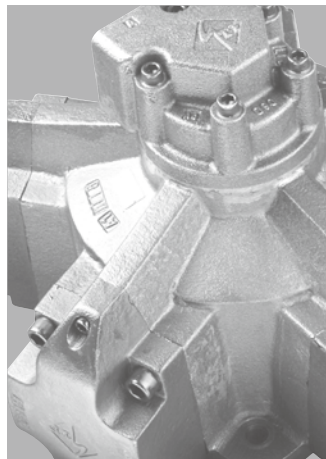
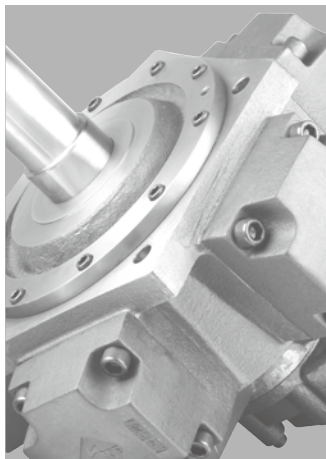
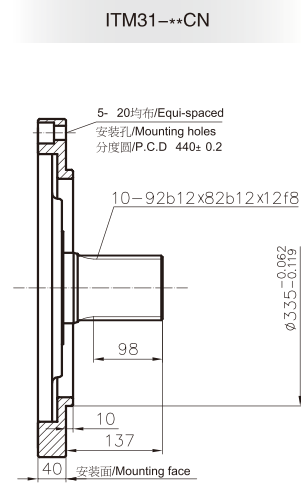
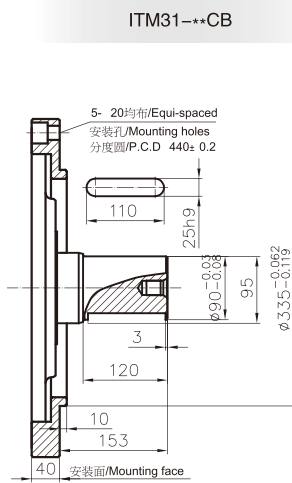
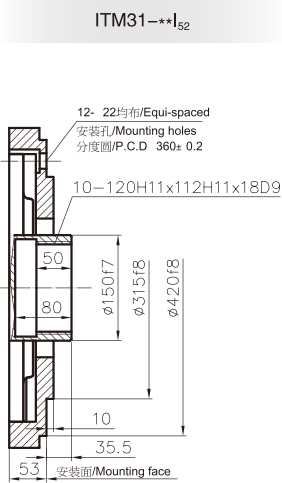
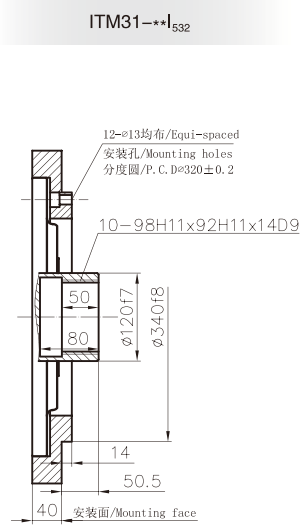
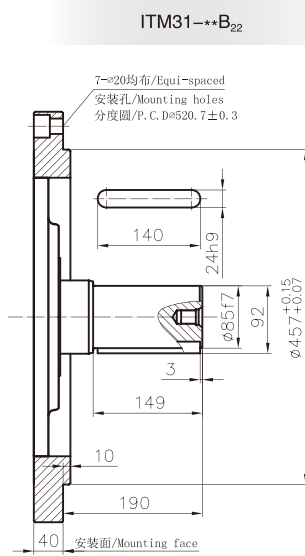
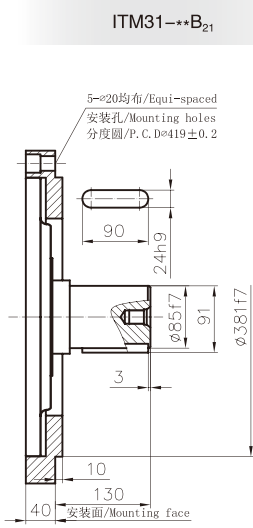


ITM31---B<sub>10</sub>





# ITM31 系列/ ITM31 Serie



ITM

ITMS

STFC

STFD

CRM-HA

CRM-HB

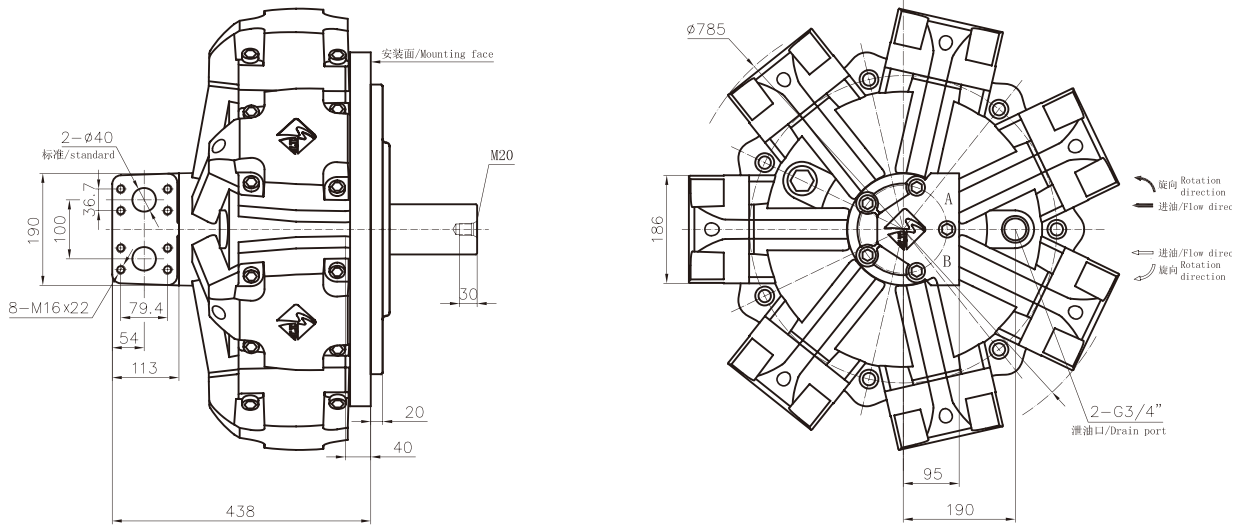
CRM-PS

SMA6V

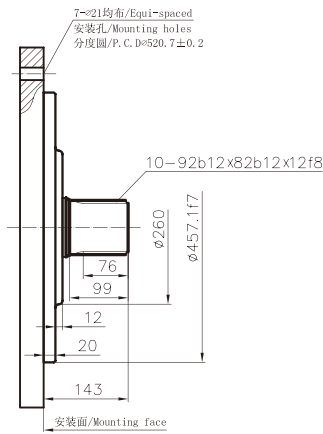
SMA2F

OMZ

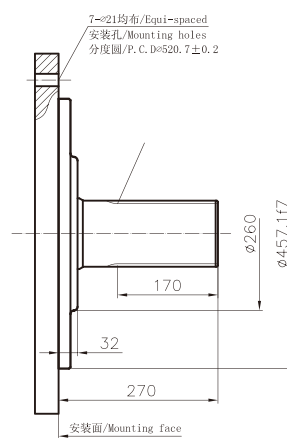
ITM70 外形及安装尺寸/ ITM70 Installation Dimensions



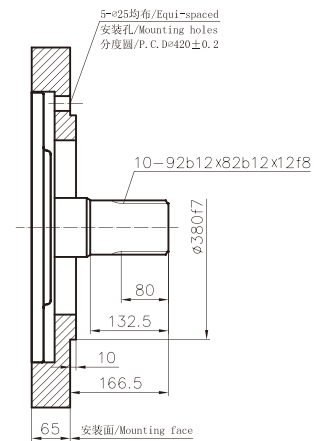
ITM70-\*\*\*a



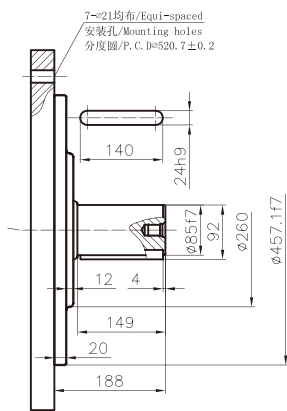
ITM70-\*\*\*a<sub>1</sub>



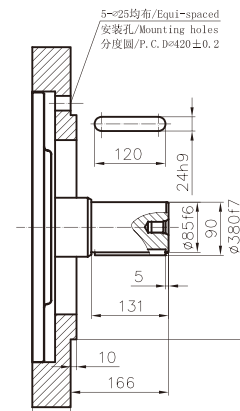
ITM70-\*\*\*a<sub>3</sub>



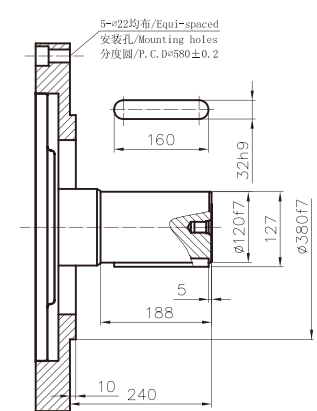
标准平键 : ITM70-\*\*\*B  
Standard Parallel Key



ITM70-\*\*\*B<sub>1</sub>



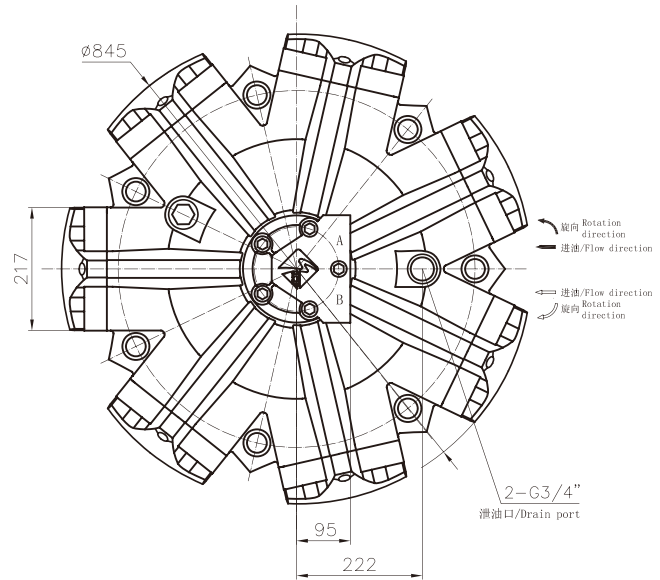
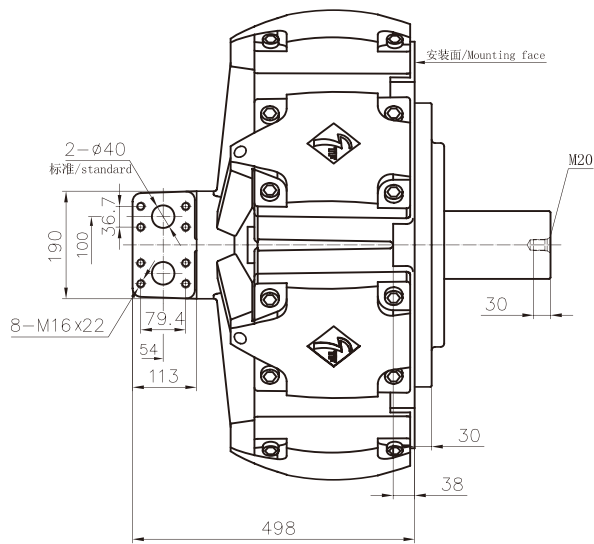
ITM70-\*\*\*B<sub>2</sub>



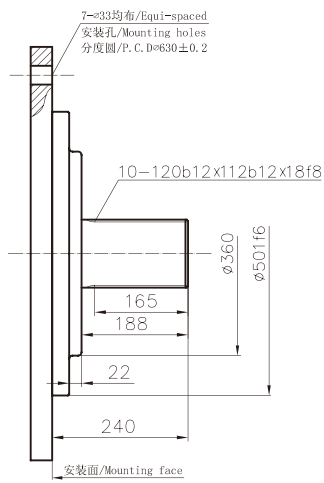
# ITM100 系列/ ITM100 Serie



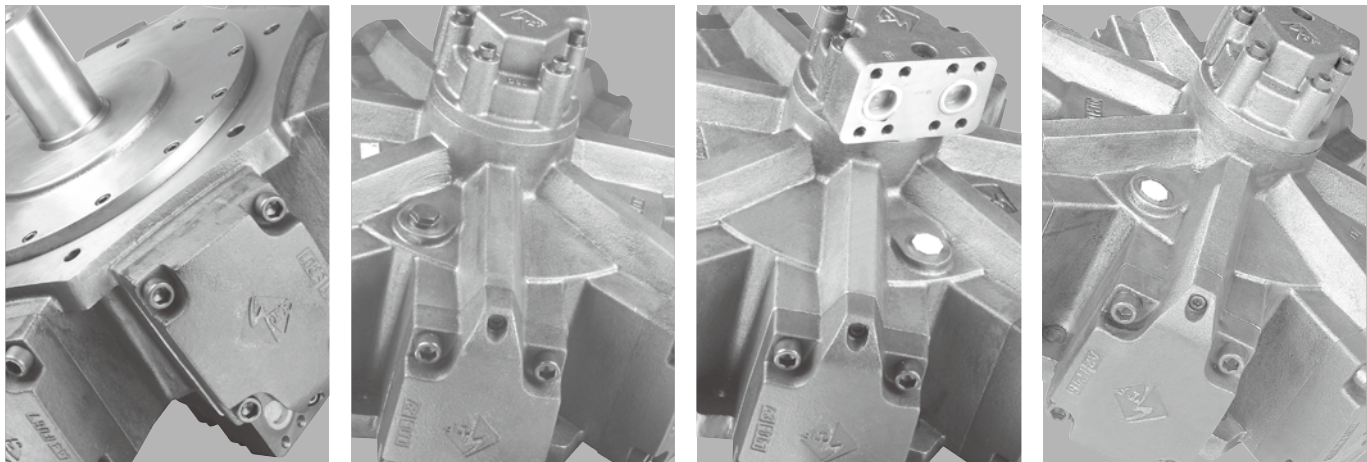
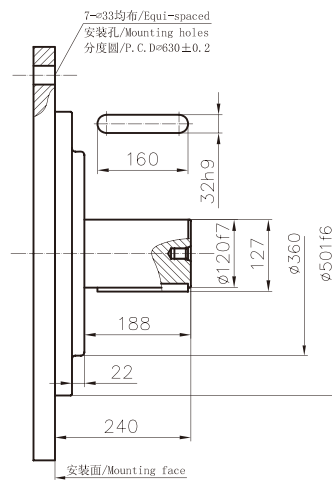
## ITM100 外形及安装尺寸/ ITM100 Installation Dimensions



标准外花键 : ITM100-\*\*\*  
Standard Involute Spline



标准平键 : ITM100-\*\*\*B  
Standard Parallel Key



ITM

ITMS

STFC

STFD

CRM-HA

CRM-HB

CRM-PS

SMA6V

SMA2F

OMZ