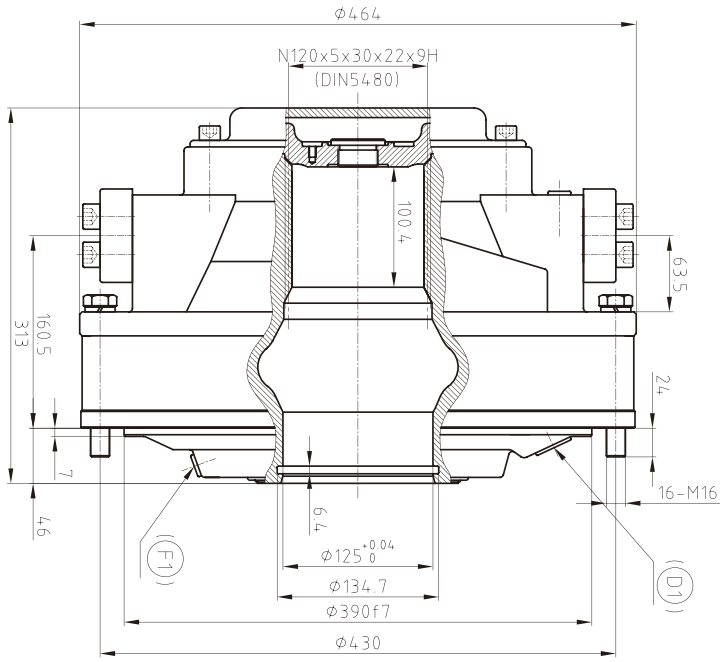
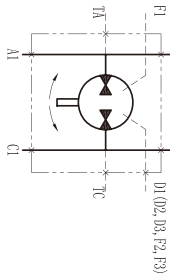


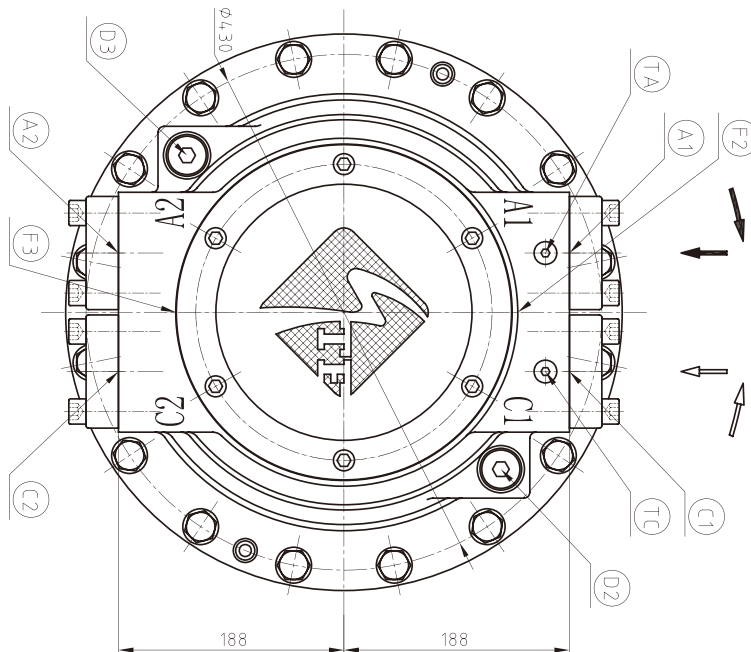
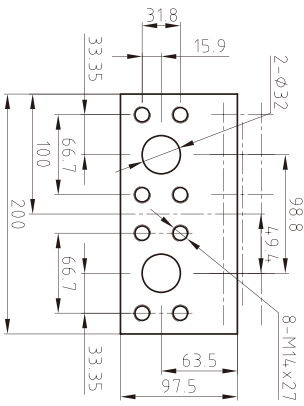
CRM-HA50 系列/ CRM-HA50 Serie



CRM-HA50 外形及安装尺寸/ CRM-HA50 Installation Dimensions



A,C:油口/Conn.A,C



油口尺寸/Connection

主油口 A Main Conn. A	主油口 C Main Conn. C	泄油口 Drain Conn.	冲洗油口 Flushing Conn.	测压口 Test Conn.
A1	C1	D1	(F1)	TA
A2	C2	D2	F2	TC
SAE 1 1/4"	SAE 1 1/4"	BSP3/4"	BSP1/4"	BSP1/4"

ITM

ITMS

STFC

STFD

CRM-HA

CRM-HB

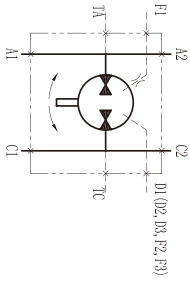
CRM-PS

SMA6V

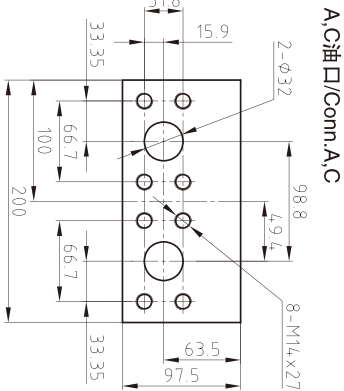
SMA2F

OMZ

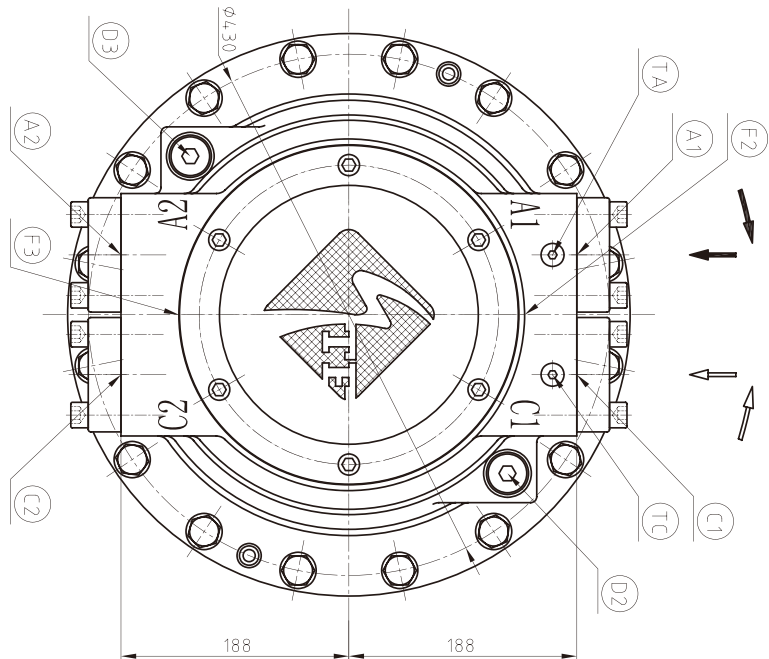
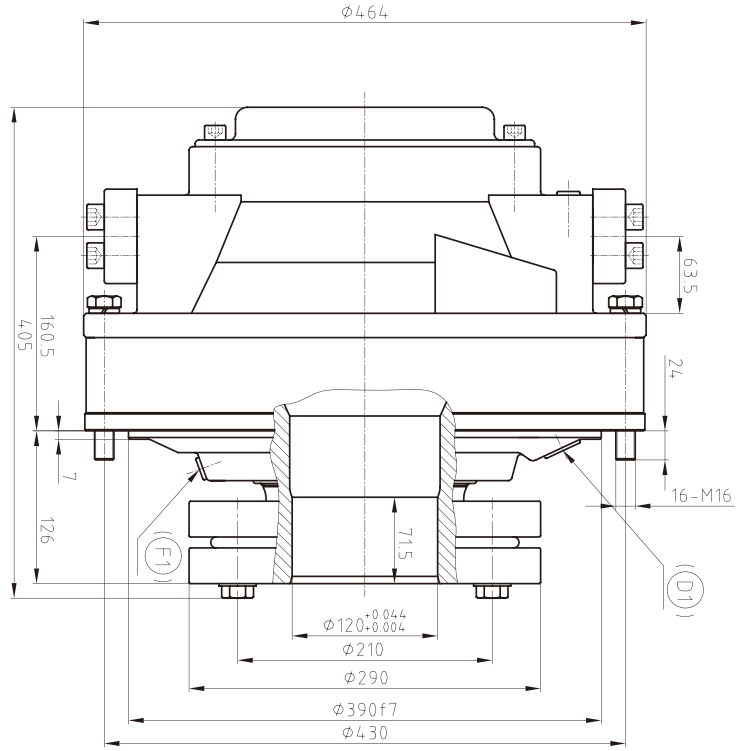
CRM-HA50 外形及安装尺寸/ CRM-HA50 Installation Dimensions



液壓原理圖/Hydraulic Schematic



A/C油口/Conn.A/C



油口尺寸/Connection

主油口A Main Conn.A	主油口C Main Conn.C	泄油口 Drain Conn.	冲洗油口 Flushing Conn.	测压口 Test Conn.
A1 A2	C1 C2	(D1) D2 D3	(F1) F2 F3	TA TC
SAE 1 1/4"	SAE 1 1/4"	BSP3/4"	BSP1/4"	BSP1/4"

ITM

ITMS

STFC

STFD

CRM-HA

CRM-HB

CRM-PS

SMA6V

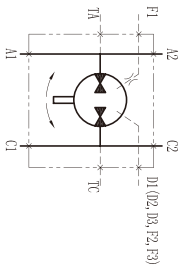
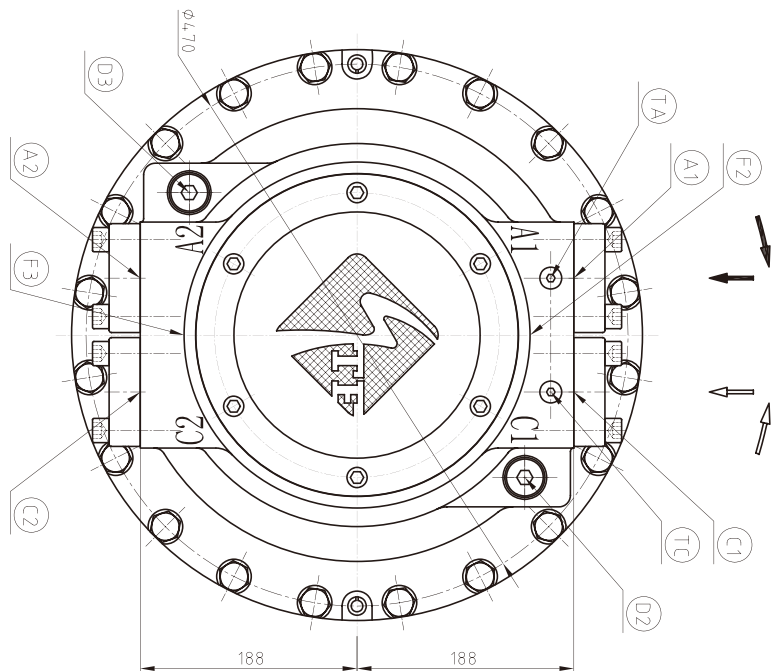
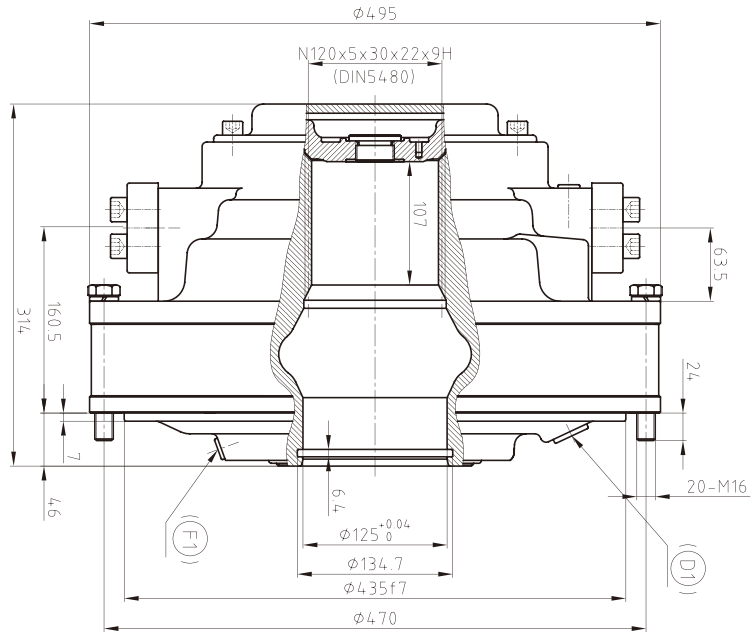
SMA2F

OMZ

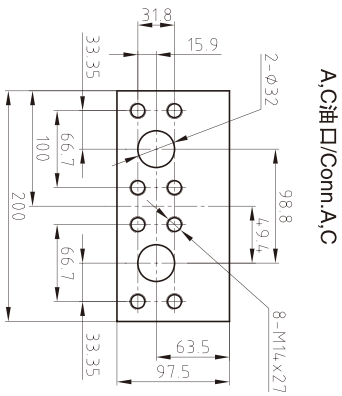
CRM-HA70 系列/ CRM-HA70 Serie



CRM-HA70 外形及安装尺寸/ CRM-HA70 Installation Dimensions



液压原理图/Hydraulic Schematic



A,C油口/Conn.A,C

油口尺寸/Connection

主油口A Main Conn. A	主油口C Main Conn. C	泄油口 Drain Conn.	冲洗油口 Flushing Conn.	测压口 Test Conn.
A1	C1	D1	(F1)	TA
A2	C2	D2	F2	TC
SAE 1 1/4"	SAE 1 1/4"	D3	F3	TA
			BSP1/4"	TC

ITM

ITMS

STFC

STFD

CRM-HA

CRM-HB

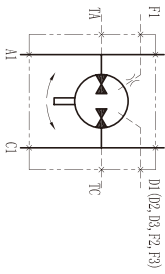
CRM-PS

SMA6V

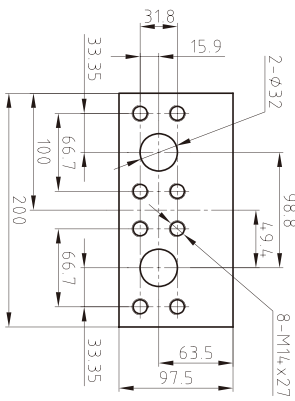
SMA2F

OMZ

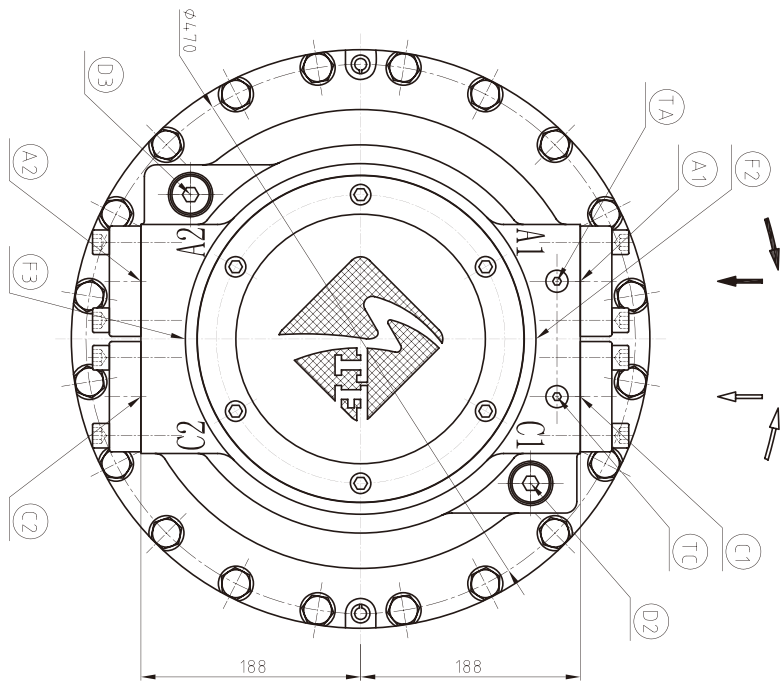
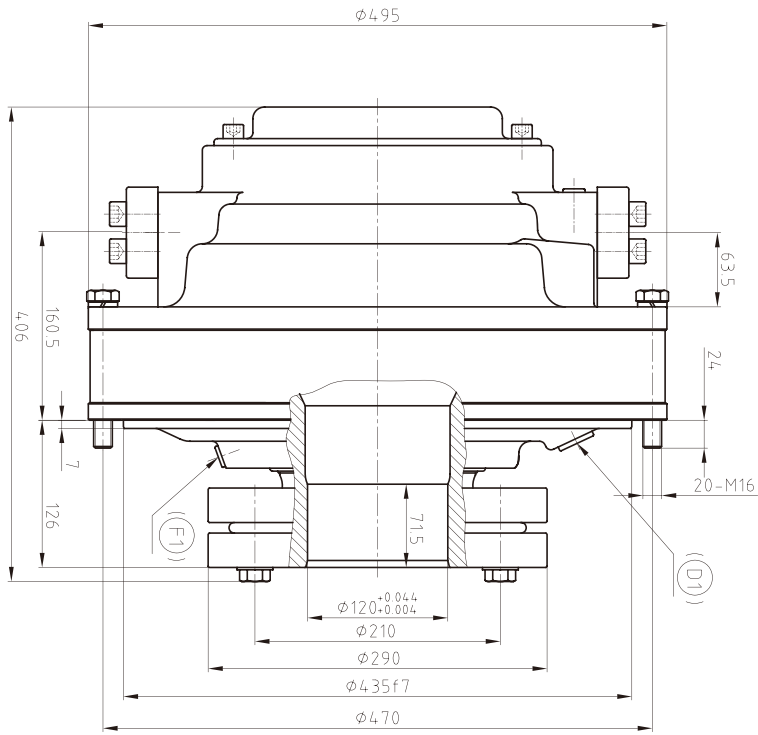
CRM-HA70 外形及安装尺寸/ CRM-HA70 Installation Dimensions



液压原理图/Hydraulic Schematic



A,C油口/Conn.A,C



油口尺寸/Connection

主油口A Main Conn. A	主油口C Main Conn. C	泄油口 Drain Conn.	冲洗油口 Flushing Conn.	测压口 Test Conn.
A1	C1	(D1)	(F1)	TA
A2	C2	D2	F2	TC
SAE 1 1/4"	SAE 1 1/4"	BSP3/4"	BSP1/4"	BSP1/4"

ITM

ITMS

STFC

STFD

CRM-HA

CRM-HB

CRM-PS

SMA6V

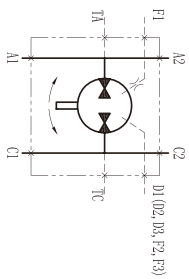
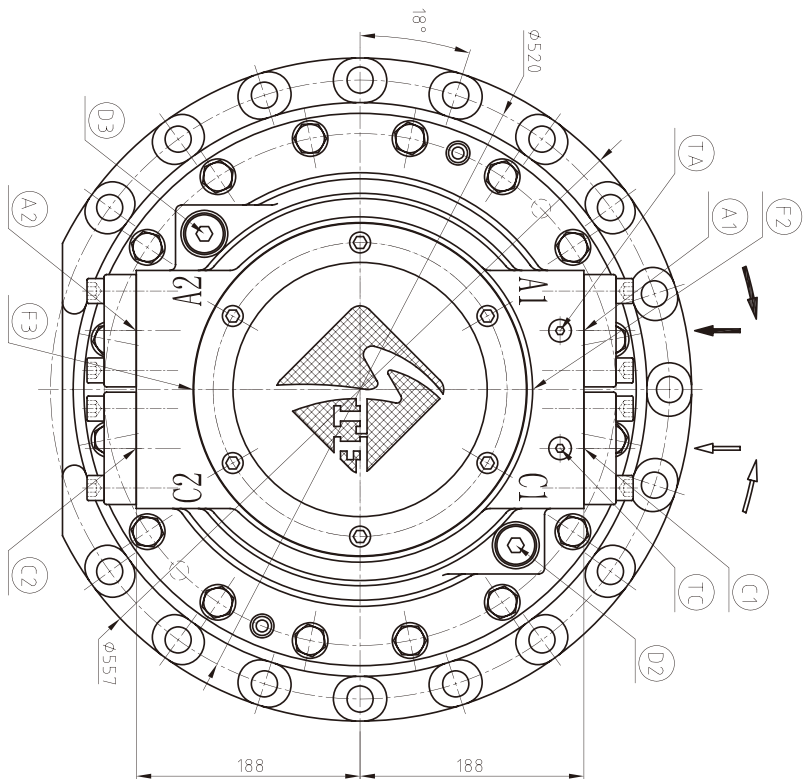
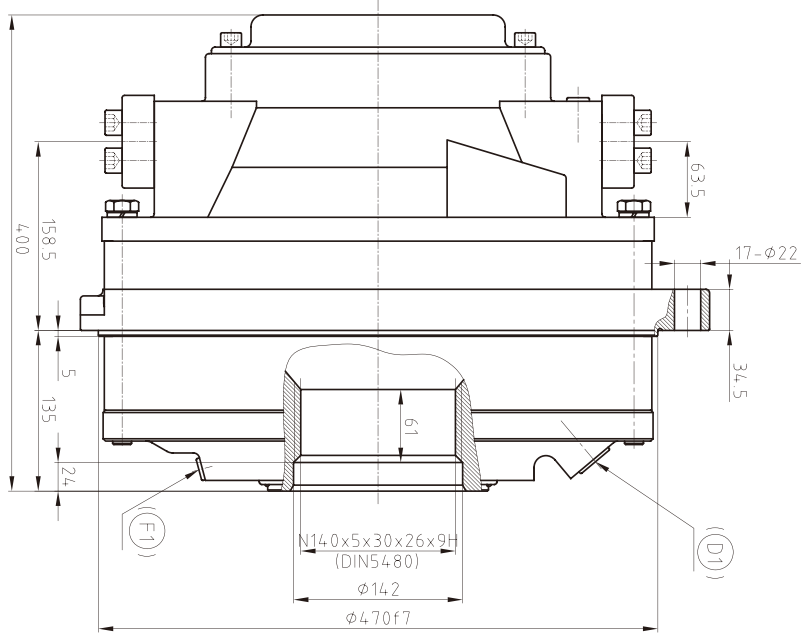
SMA2F

OMZ

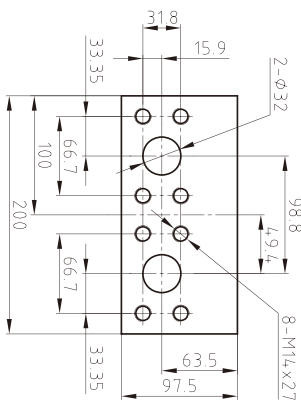
CRM-HA100 系列/ CRM-HA100 Serie



CRM-HA100 外形及安装尺寸/ CRM-HA100 Installation Dimensions



液压原理图/Hydraulic Schematic



A,C油口/Conn.A,C

油口尺寸/Connection

主油口A Main Conn. A	主油口C Main Conn. C	泄油口 Drain Conn.	冲洗油口 Flushing Conn.	测压口 Test Conn.
A1	A2	D1	(F1)	TA
SAE 1 1/4"	SAE 1 1/4"	BSP3/4"	BSP1/4"	TC

ITM

ITMS

STFC

STFD

CRM-HA

CRM-HB

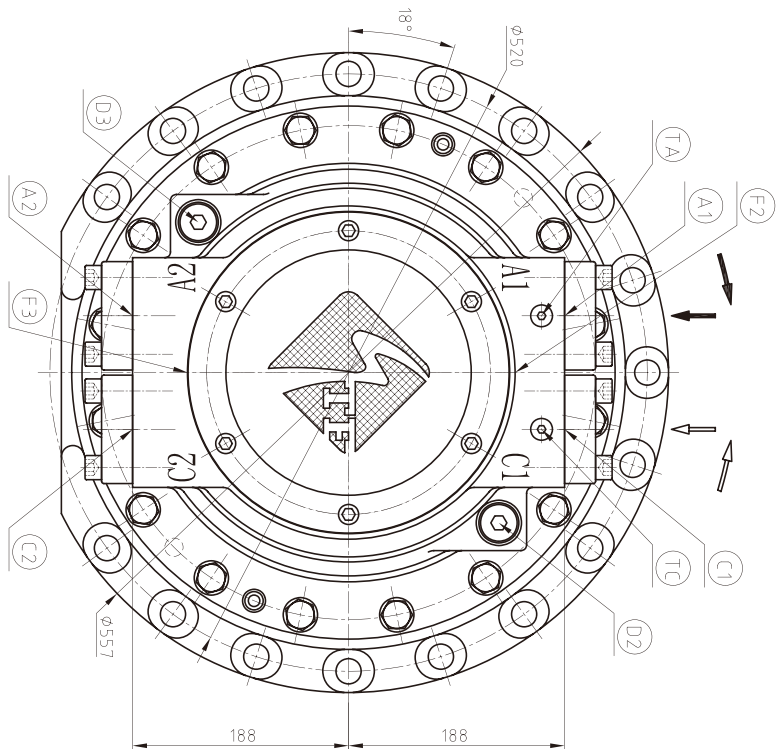
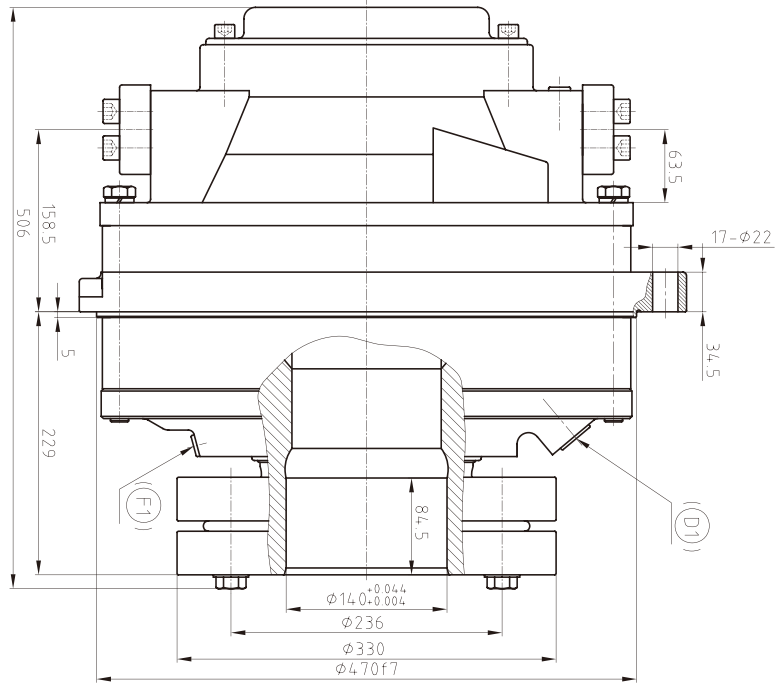
CRM-PS

SMA6V

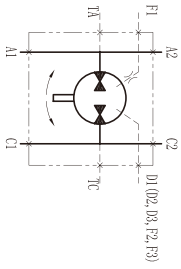
SMA2F

OMZ

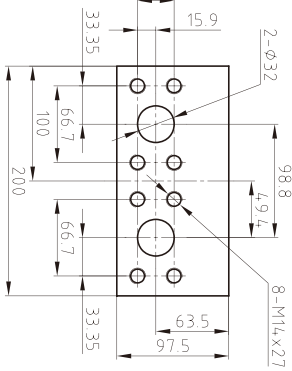
CRM-HA100 外形及安装尺寸/ CRM-HA100 Installation Dimensions



液压原理图/Hydraulic Schematic



A,C油口/Conn.A,C



油口尺寸/Connection

主油口 A Main Conn. A	主油口 C Main Conn. C	泄油口 Drain Conn.	冲洗油口 Flushing Conn.	测压口 Test Conn.
A1	A2	D1) D2	(F1) F2 F3	TA TC
SAE 1 1/4"	SAE 1 1/4"	BSP3/4"	BSP1/4"	BSP1/4"

ITM

ITMS

STFC

STFD

CRM-HA

CRM-HB

CRM-PS

SMA6V

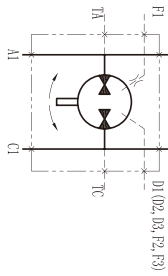
SMA2F

OMZ

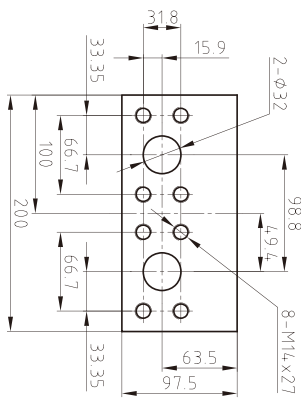
CRM-HA140 系列/ CRM-HA140 Serie



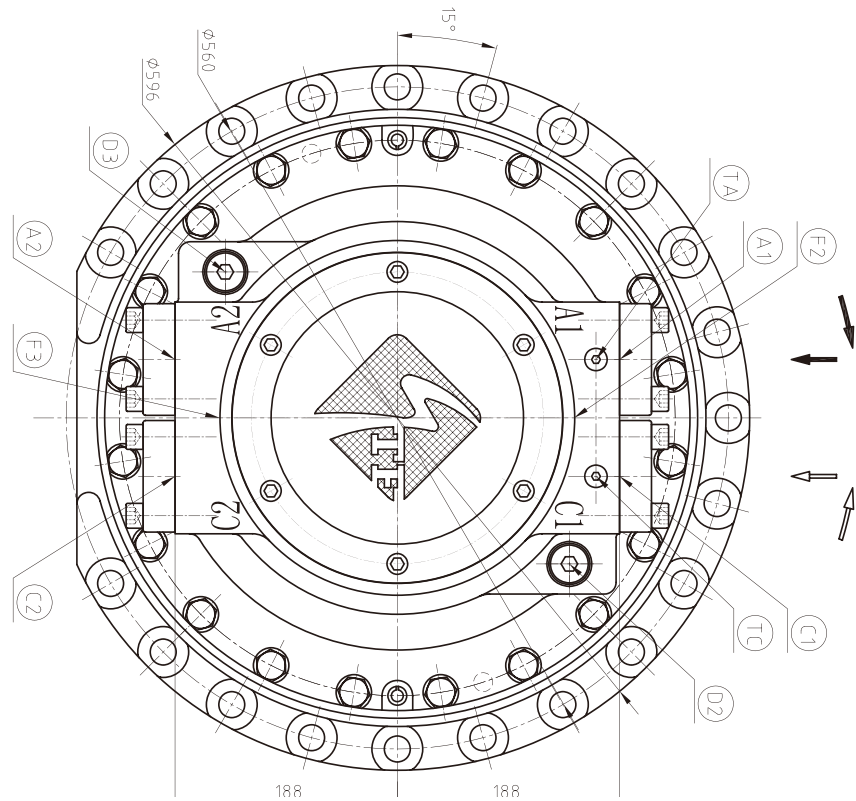
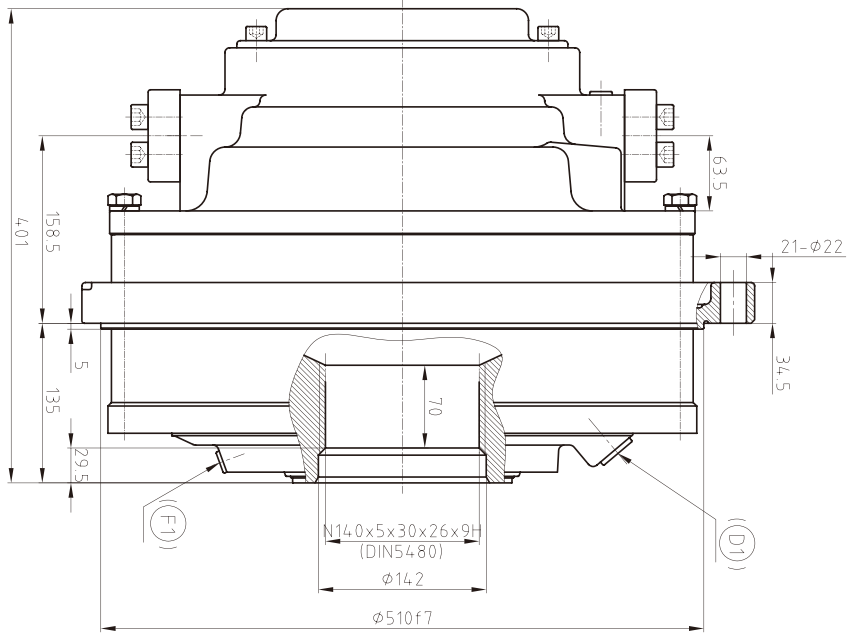
CRM-HA140 外形及安装尺寸/ CRM-HA140 Installation Dimensions



液压原理图/Hydraulic Schematic



A/C油口/Conn.A,C



油口尺寸/Connection

主油口 A Main Conn. A	主油口 C Main Conn. C	泄油口 Drain Conn.	冲洗油口 Flushing Conn.	测压口 Test Conn.
A1 A2	C1 C2	(D1) D2 D3	(F1) F2 F3	TA TC
SAE 1 1/4"	SAE 1 1/4"	BSP3/4"	BSP1/4"	BSP1/4"

ITM

ITMS

STFC

STFD

CRM-HA

CRM-HB

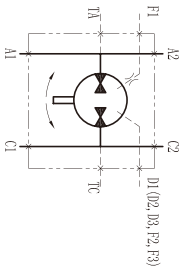
CRM-PS

SMA6V

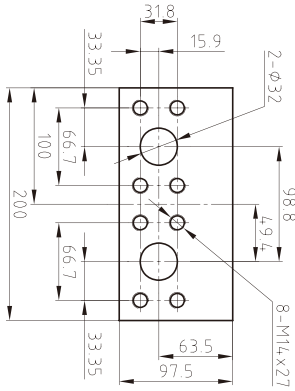
SMA2F

OMZ

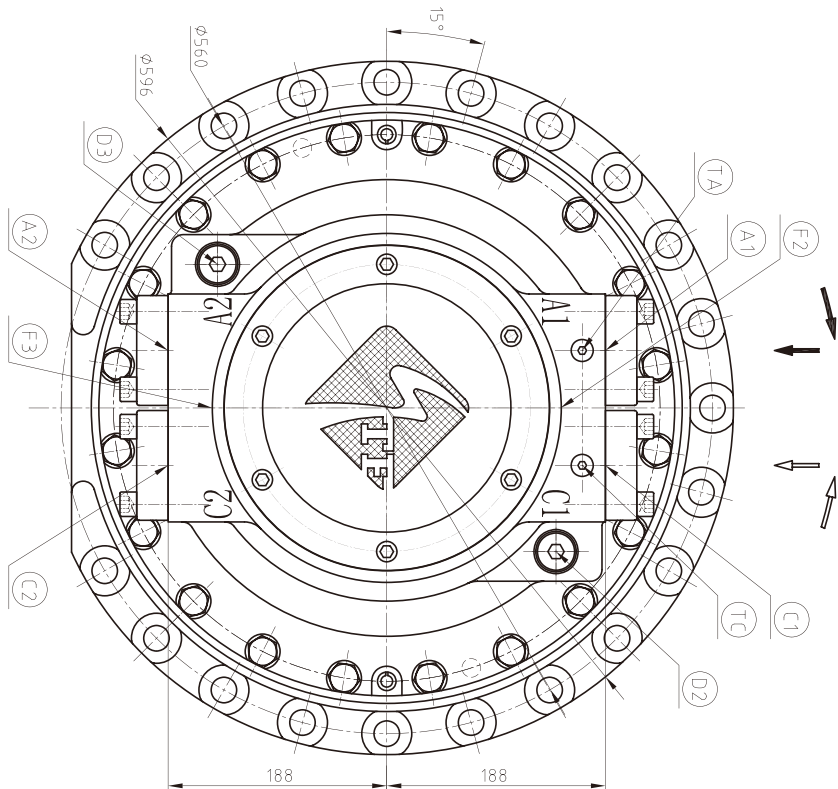
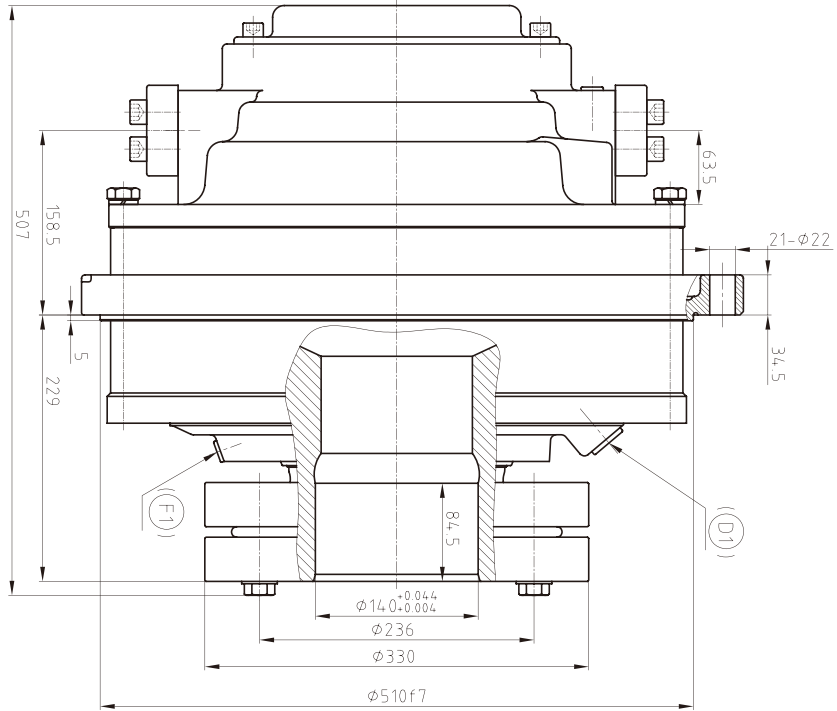
CRM-HA140 外形及安装尺寸/ CRM-HA140 Installation Dimensions



液壓原理圖/Hydraulic Schematic



A, C 油口/Conn. A, C



油口尺寸/Connection

主油口 A Main Conn. A	主油口 C Main Conn. C	泄油口 Drain Conn.	冲洗油口 Flushing Conn.	测压口 Test Conn.
A1	C1	D1	(F1)	TA
A2	C2	D2	(F2)	TC
SAE 1 1/4"	SAE 1 1/4"	BSP3/4"	BSP1/4"	BSP1/4"

ITM

ITMS

STFC

STFD

CRM-HA

CRM-HB

CRM-PS

SMA6V

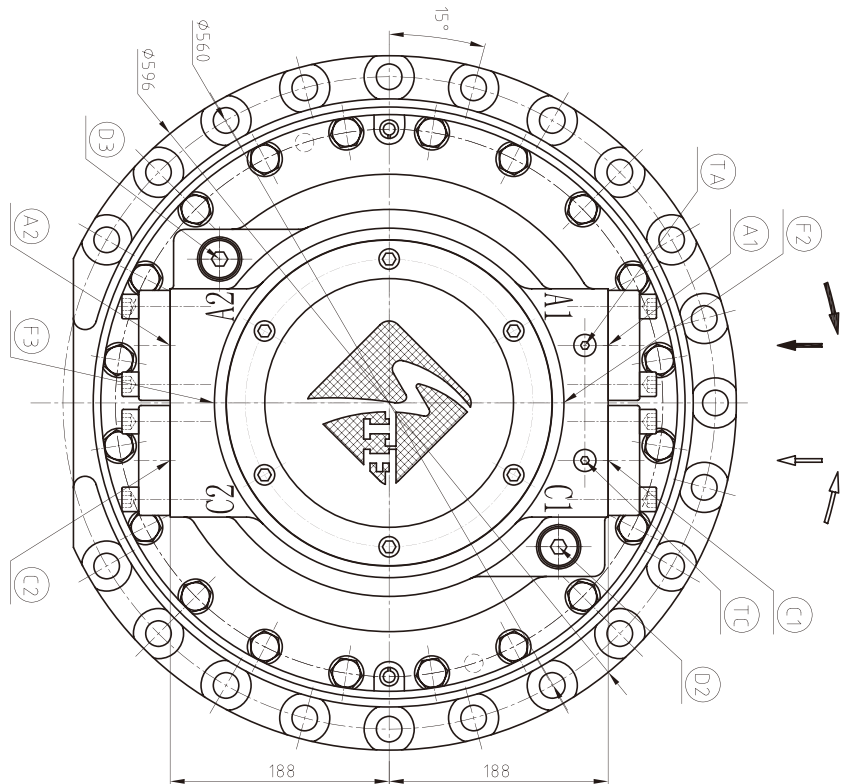
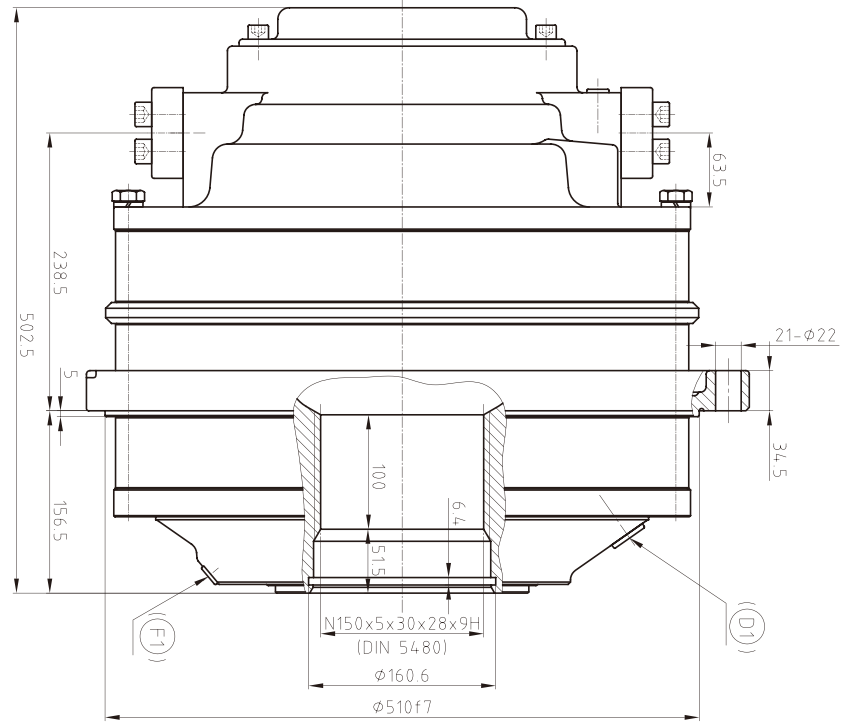
SMA2F

OMZ

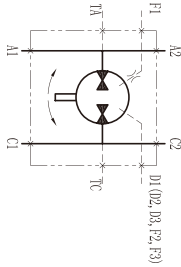
CRM-HA210 系列/ CRM-HA210 Serie



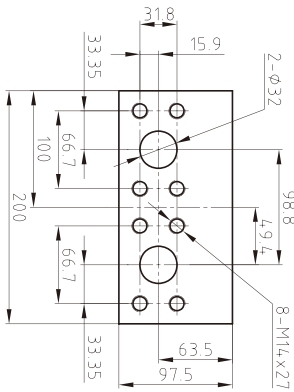
CRM-HA210 外形及安装尺寸/ CRM-HA210 Installation Dimensions



液压原理图/Hydraulic Schematic



A,C油口/Conn.A,C



油口尺寸/Connection

主油口A Main Conn. A	主油口C Main Conn. C	泄油口 Drain Conn.	冲洗油口 Flushing Conn.	测压口 Test Conn.
A1	A2	D1	(F1)	TA
SAE 1 1/4"	SAE 1 1/4"	BSP3/4"	BSP1/4"	TC

ITM

ITMS

STFC

STFD

CRM-HA

CRM-HB

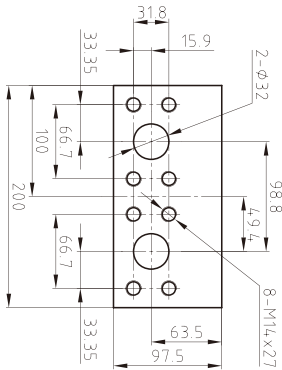
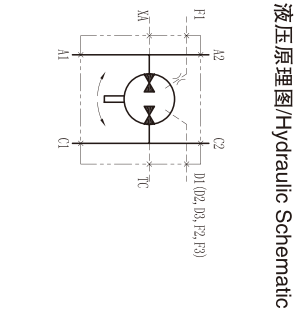
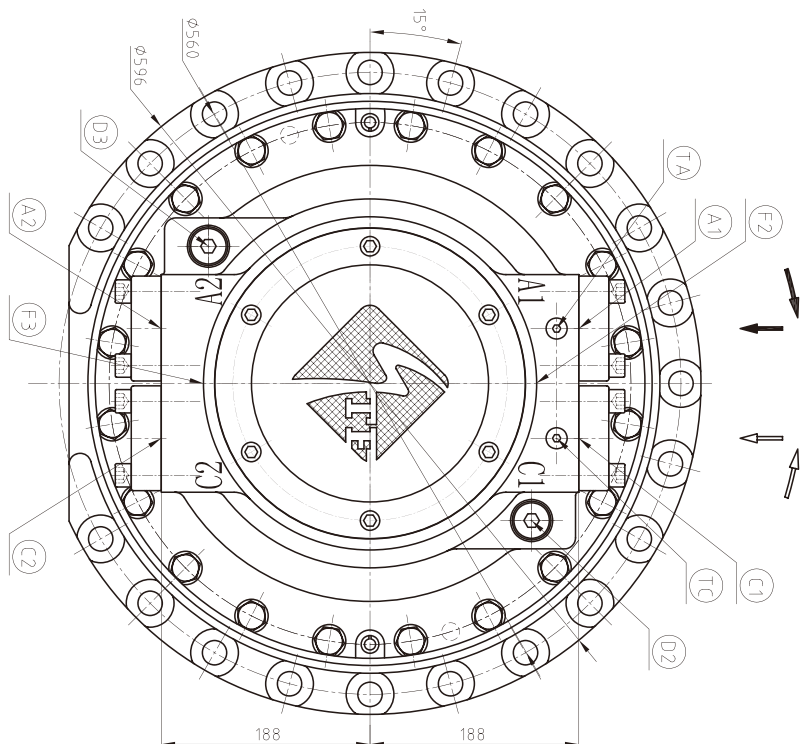
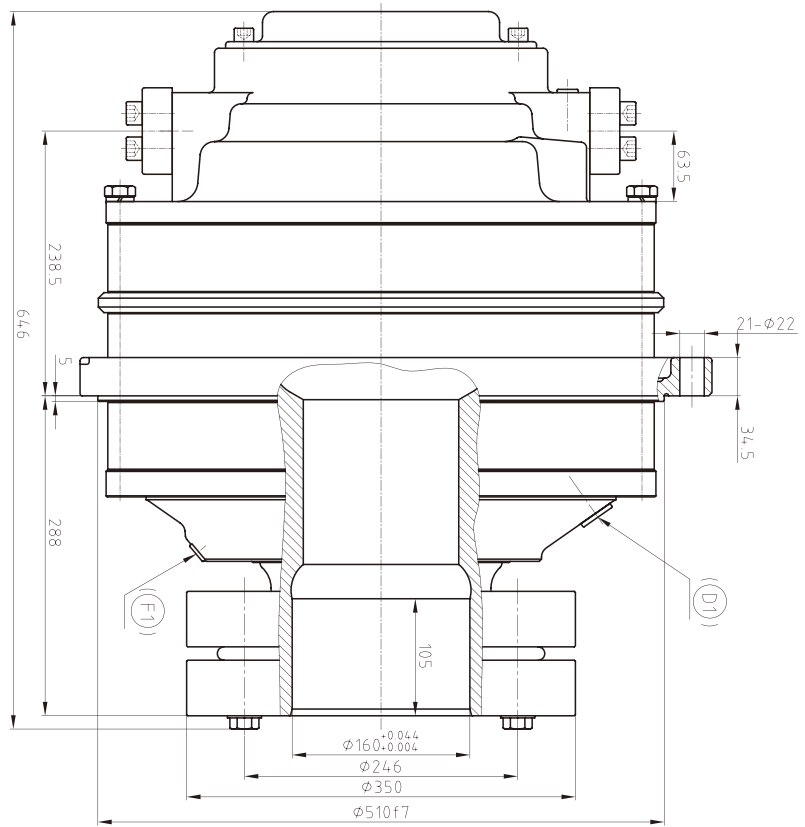
CRM-PS

SMA6V

SMA2F

OMZ

CRM-HA210 外形及安装尺寸/ CRM-HA210 Installation Dimensions



A, C油口/Conn. A, C

油口尺寸/Connection

主油口A Main Conn. A	主油口C Main Conn. C	泄油口 Drain Conn.	冲洗油口 Flushing Conn.	测压口 Test Conn.
A1	A2	D1	D2	TA
C1	C2	D3	(F1)	TC
SAE 1 1/4"	SAE 1 1/4"	BSP3/4"	BSP1/4"	BSP1/4"

ITM

ITMS

STFC

STFD

CRM-HA

CRM-HB

CRM-PS

SMA6V

SMA2F

OMZ



CRM-HA 系列/ CRM-HA Serie



产品特点/Product Feature

CRM-HA系列液压马达是我司针对高端市场所开发的新产品，此产品能在各种恶劣工况下稳定工作，能满足大多数场合下对液压马达的高工作压力、大扭矩输出及低速稳定性等要求，在结构上，这款马达采用端面配流，径向柱塞内曲线形式，利用马达转子中空优势，能方便的根据用户要求配置制动器、测速器，及通过马达中孔的特殊设备，大大简化用户对主机结构的要求。

其主要特点如下：

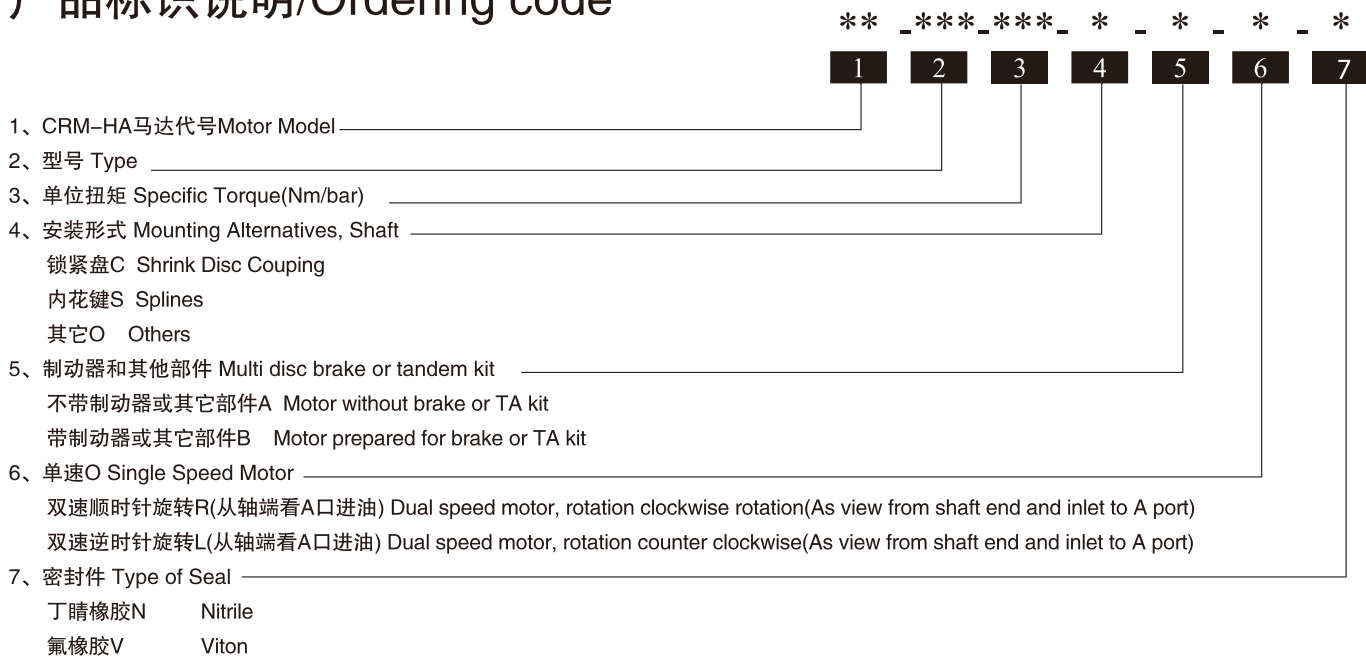
- 抗冲击能力强，稳定性好；
- 可实现安全平稳的变量及停车制动；
- 能实现自由轮工况；
- 多种安装方式及中空轴设计；
- 大输出扭矩、宽转速范围，可直接替代高速马达减速机装置，结构紧凑（体积小）；
- 具有良好的低速稳定性，能在很低的转速下平稳运转；
- 具有较高的机械效率和容积效率；
- 旋转方向可逆；
- 功率质量比高；
- 可靠性好，维修方便。

CRM-HA series' cam-ring piston hydraulic motor is what we design for high-end application. With advantage of hollow rotor, CRM motor can be mounted with brake, speed encoder, and some special equipments mounted through the center of motor, according to the user's requirements. It shows its striking features of high pressure endurance, stability at low speed, and high output torque in various inferior working conditions.

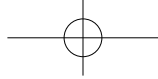
Main characteristics:

- Strong anti-shock capability and stability;
- Stable variable switch and parking brake;
- Enable free running working condition;
- Multi-mounting options; hollow shaft design;
- Large output torque; wide speed range; directly replace combined devices of high speed motor and gearbox; compact structure;
- Stable performance at low speed;
- Higher mechanical and volumetric efficiency;
- Reversible rotation;
- High power-mass ratio;
- High reliability; easy maintenance.

产品标识说明/Ordering code



- ITM
- ITMS
- STFC
- STFD
- CRM-HA
- CRM-HB
- CRM-PS
- SMA6V
- SMA2F
- OMZ



技术参数 / Technical Specification

ITM

ITMS

STFC

STFD

CRM-HA

CRM-HB

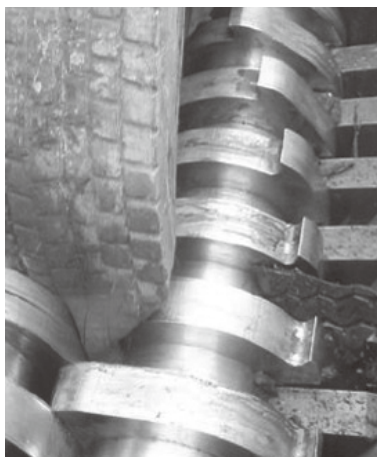
CRM-PS

SMA6V

SMA2F

OMZ

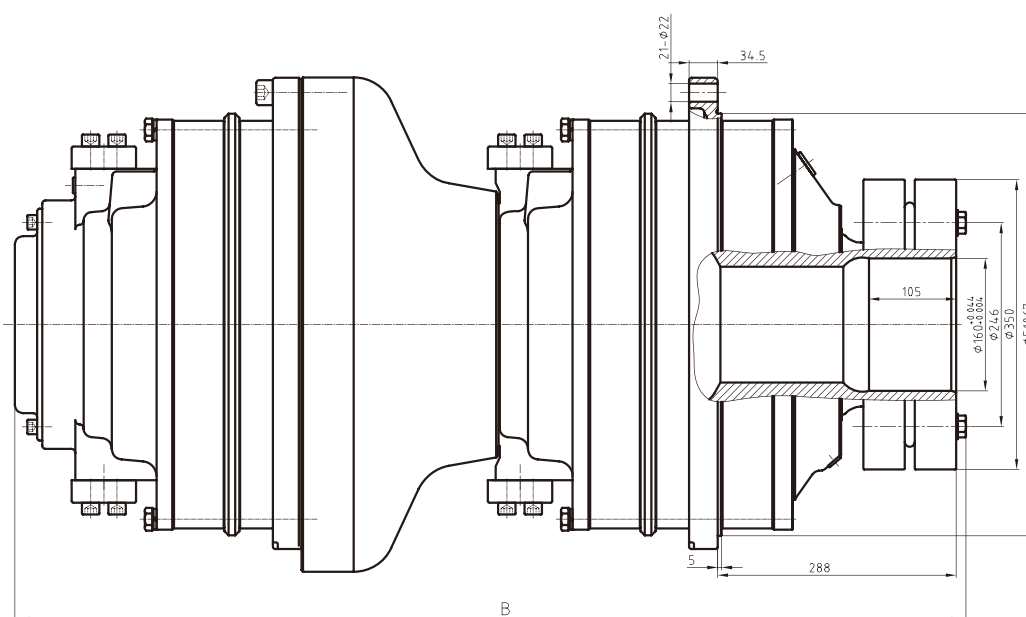
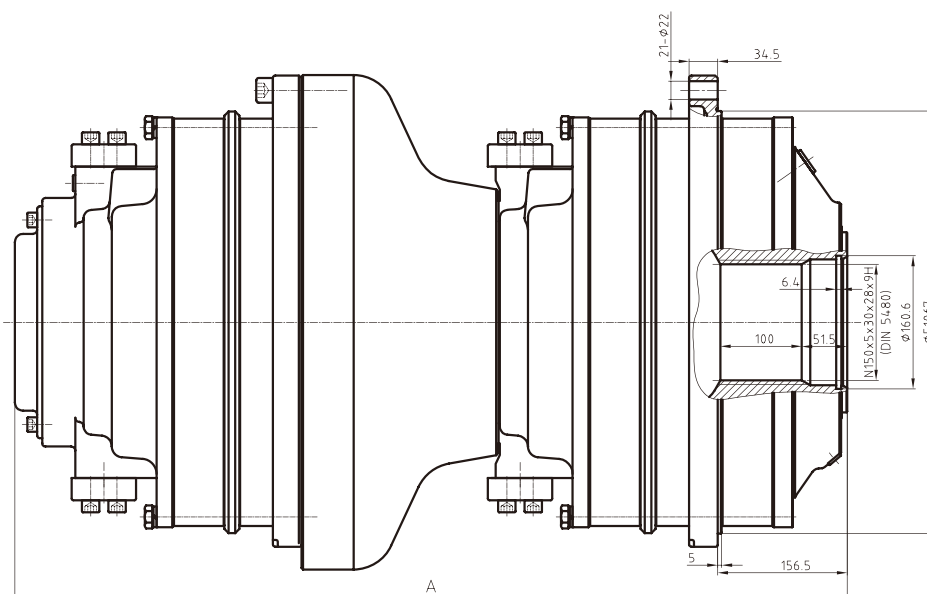
马达型号 TYPE	排量 Displacement	单位扭矩 Unit Torque	额定压力 Rated Pressure	最大压力 Max.Pressure	额定扭矩 Rated Torque	额定转速 Rated Speed	最大转速 Max.Speed	重量(花键) Weight (Spline)	重量(锁紧盘) Weight (Shrink Disc Coupling)
	ml/r	N.m/bar	bar	bar	N.m	r/min	r/min	Kg	Kg
HA50-20	1,256	20	250	315	5,000	340	340	175	203
HA50-25	1,570	25	250	315	6,250	298	340		
HA50-32	2,010	32	250	315	8,000	238	340		
HA50-40	2,512	40	250	315	10,000	196	298		
HA50-50	3,140	50	250	315	12,500	170	238		
HA70-40	2,512	40	250	315	10,000	230	340	205	232
HA70-50	3,140	50	250	315	12,500	191	272		
HA70-60	3,771	60	250	315	15,000	166	234		
HA70-70	4,400	70	250	315	17,500	153	204		
HA100-40	2,512	40	250	315	10,000	332	340	265	310
HA100-50	3,140	50	250	315	12,500	272	340		
HA100-64	4,020	64	250	315	16,000	221	332		
HA100-80	5,024	80	250	315	20,000	187	264		
HA100-100	6,280	100	250	315	25,000	162	230		
HA140-80	5,024	80	250	315	20,000	208	289	305	347
HA140-100	6,280	100	250	315	25,000	174	234		
HA140-120	7,543	120	250	315	30,000	153	208		
HA140-140	8,800	140	250	315	35,000	145	187		
HA210-160	10,051	160	250	315	40,000	89	128	395	456
HA210-180	11,314	180	250	315	45,000	85	115		
HA210-210	13,200	210	250	315	52,500	72	98		



CRM-HA210 系列/ CRM-HA210 Serie



CRM-HA210 串联马达/ CRM-HA210 Motor Connected In Series



马达型号 TYPE	最大压力 Max. Pressure	最大转速 Max. Speed	重量(花键) Weight(Spline)	重量(锁紧盘) Weight(shrink disc coupling)	尺寸A Size A	尺寸B Size B
	bar	r/min	Kg	Kg	mm	mm
HA210+HA50	240	98	619	680	826	969
HA210+HA70	220		652	713	826	969
HA210+HA100	200		768	829	924	1067
HA210+HA140	180		808	869	924	1067
HA210+HA210	160		898	959	1004	1147

ITM

ITMS

STFC

STFD

CRM-HA

CRM-HB

CRM-PS

SMA6V

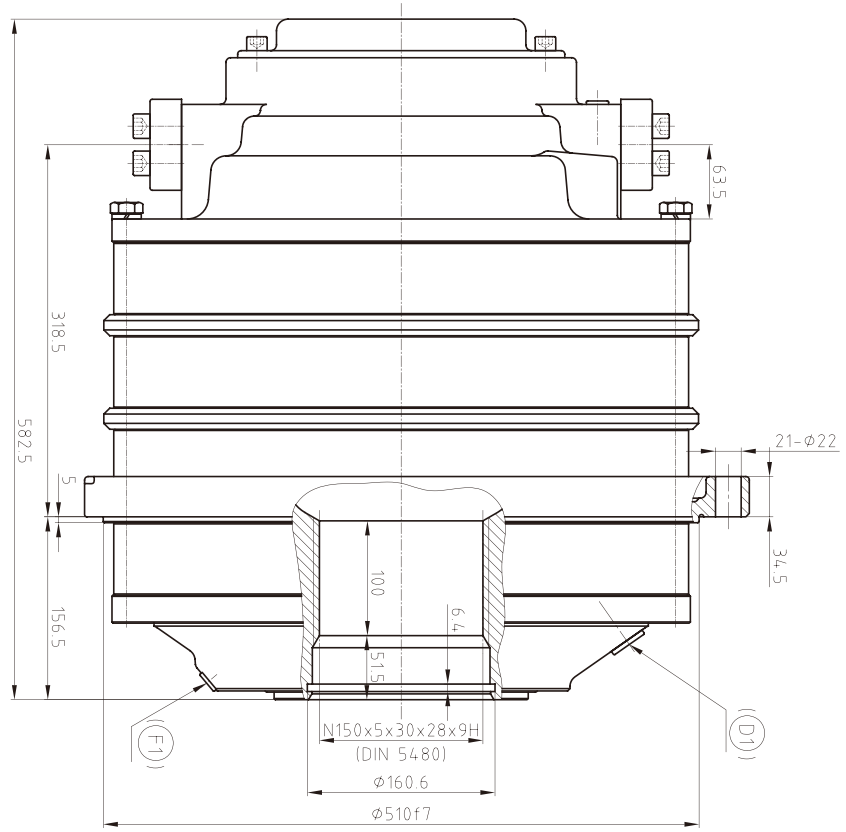
SMA2F

OMZ

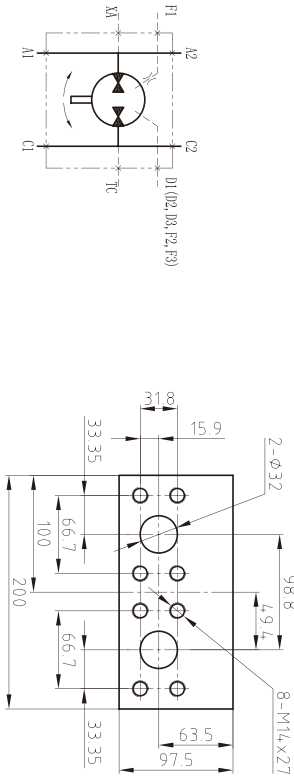
CRM-HA280 系列/ CRM-HA280 Serie



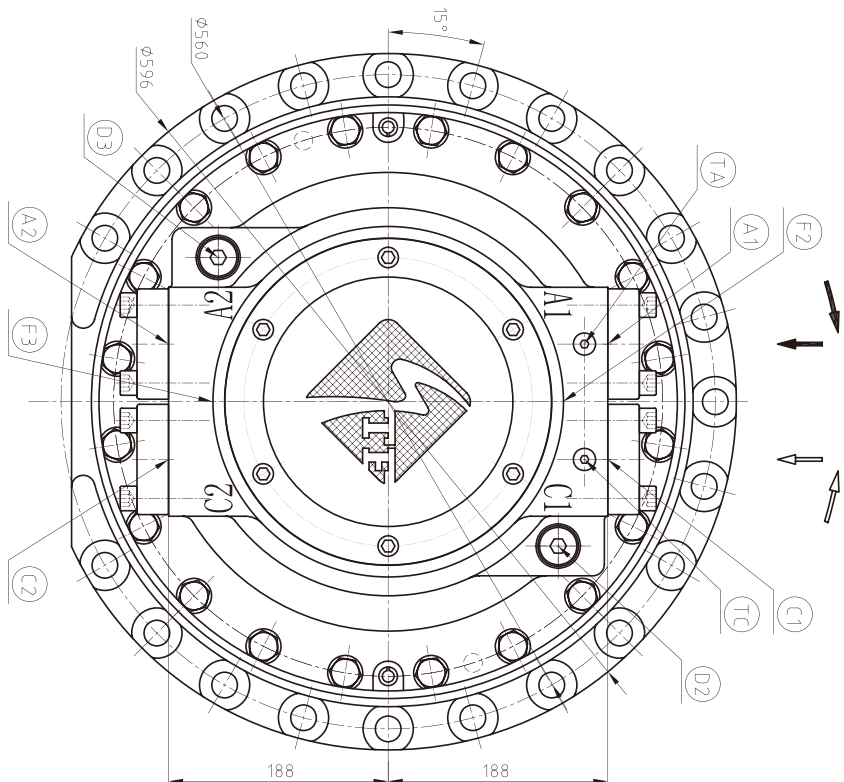
CRM-HA280 外形及安装尺寸/CRM-HA280 Installation Dimensions



A,C油口/Conn.A,C



液压原理图/Hydraulic Schematic



油口尺寸/Connection

主油口A Main Conn. A	主油口C Main Conn. C	泄油口 Drain Conn.	冲洗油口 Flushing Conn.	测压口 Test Conn.
A1	A2	D1	(F1)	TA
SAE 1 1/4"	SAE 1 1/4"	BSP3/4"	BSP1/4"	TC

ITM

ITMS

STFC

STFD

CRM-HA

CRM-HB

CRM-PS

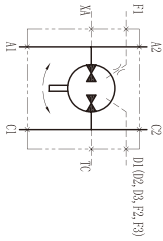
SMA6V

SMA2F

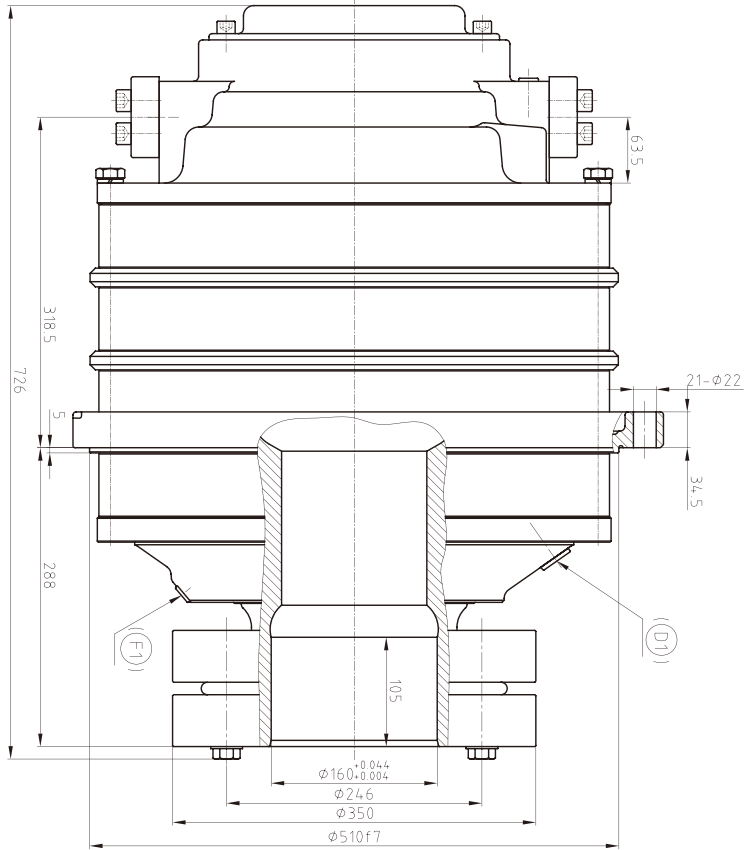
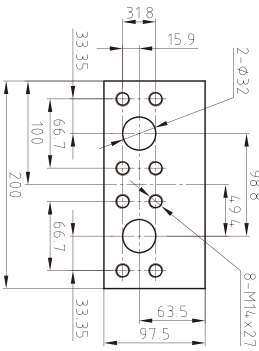
OMZ

CRM-HA280 外形及安装尺寸/ CRM-HA280 Installation Dimensions

原理图/Hydraulic Schematic

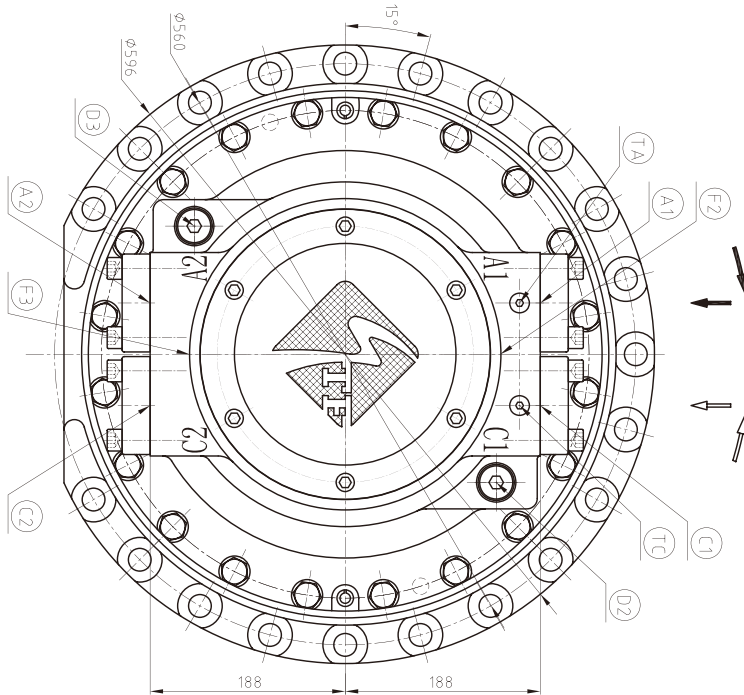


A, C; 油口/Conn, A, C



油口尺寸/Connection

主油口A Main Conn. A	主油口C Main Conn. C	泄油口 Drain Conn.	冲洗油口 Flushing Conn.	测压口 Test Conn.
A1 A2	C1 C2	(D1) D2 D3	(F1) F2 F3	TA TC
SAE 1 1/4"	SAE 1 1/4"	BSP3/4"	BSP1/4"	BSP1/4"



ITM

ITMS

STFC

STFD

CRM-HA

CRM-HB

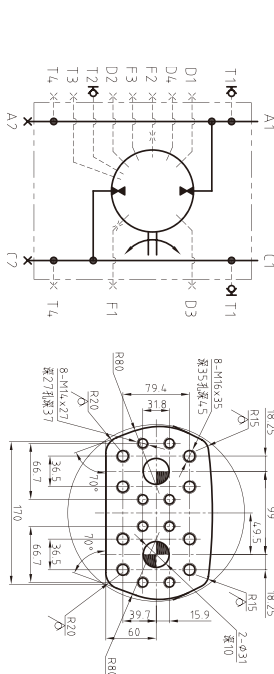
CRM-PS

SMA6V

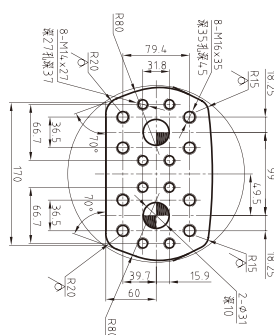
SMA2F

OMZ

CRM-HB280 外形及安装尺寸/ CRM-HB280 Installation Dimensions

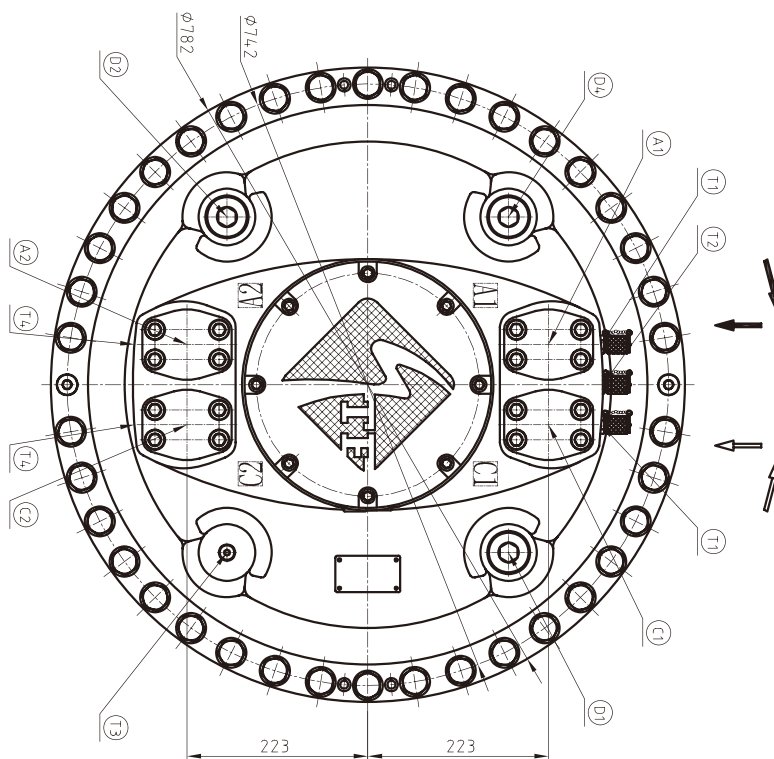
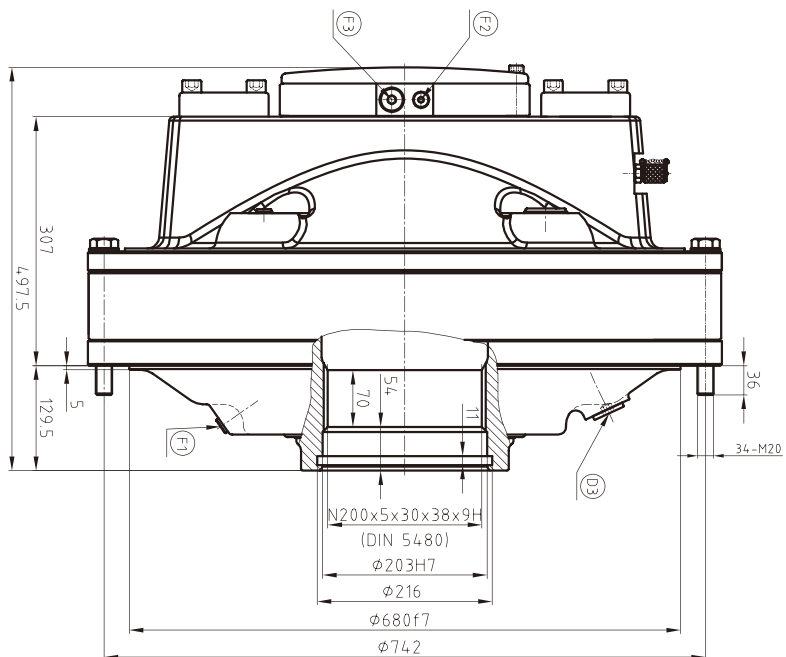


液压原理图/Hydraulic Schematic



油口尺寸/Connection

主油口A Main Conn. A	主油口C Main Conn. C	泄油口 Drain Conn.	冲洗油口 Flushing Conn.	测压口 Test Conn.
A1	C1	D1 D2 D4	F1 F2 F3	T1 T2 T3
SAE 1 1/4" SAE 1 1/2"		BSP 1 1/4"	BSP 1/4"	BSP 1/2"



ITM

ITMS

STFC

STFD

CRM-HA

CRM-HB

CRM-PS

SMA6V

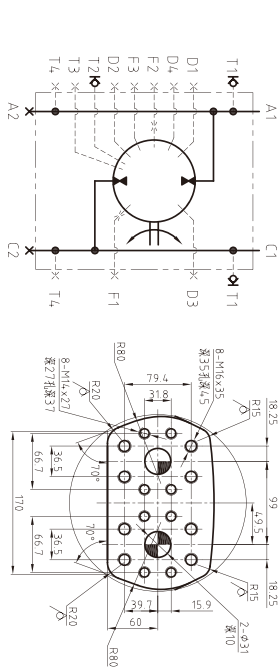
SMA2F

OMZ

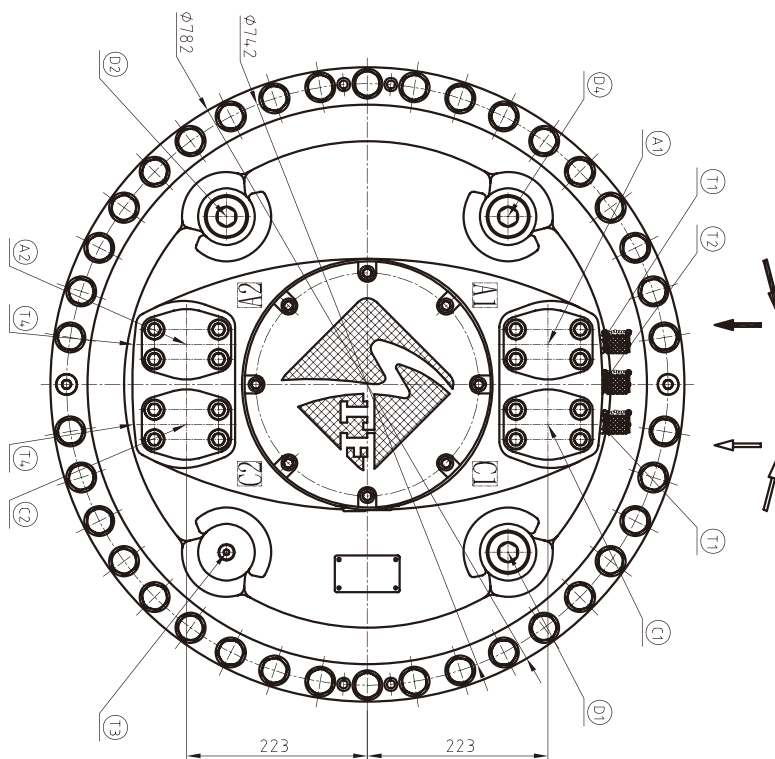
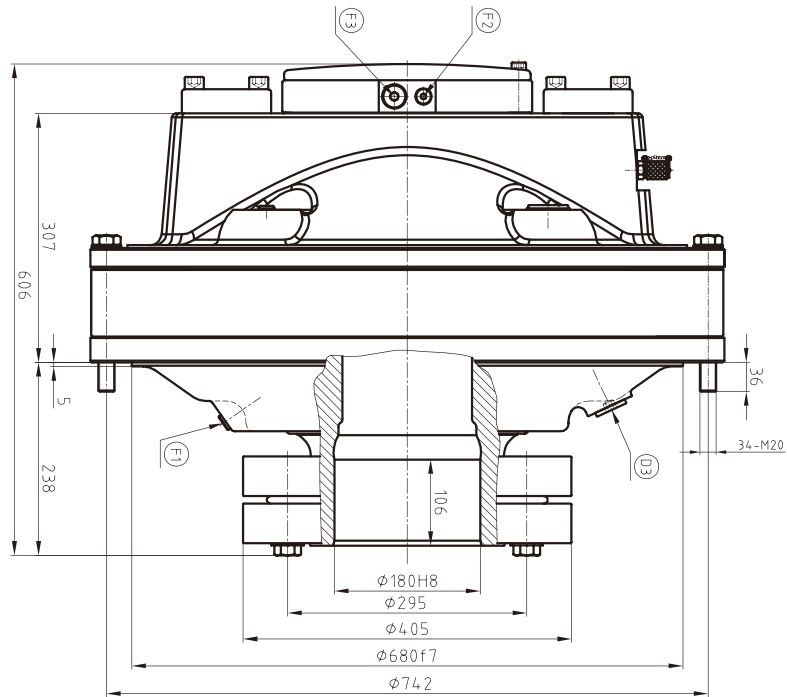
CRM-HB280 系列/ CRM-HB280 Serie



CRM-HB280 外形及安装尺寸/ CRM-HB280 Installation Dimensions



液压原理图/Hydraulic Schematic



油口尺寸/Connection

主油口A Main Conn.A	主油口C Main Conn.C	泄油口 Drain Conn.	冲洗油口 Flushing Conn.	测压口 Test Conn.
A1	A2	C1	C2	D1 D2 D4
SAE 1 1/4" & SAE 1 1/2"		D3	F1 F2 F3	T1 T2 T3
		BSP 1 1/4"	F4	T4
		BSP 1 1/4"	F5	BSP 1/2"
		BSP 1 1/4"	F6	BSP 1/4"
		BSP 1 1/4"	F7	BSP 1/2"

ITM

ITMS

STFC

STFD

CRM-HA

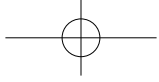
CRM-HB

CRM-PS

SMA6V

SMA2F

OMZ

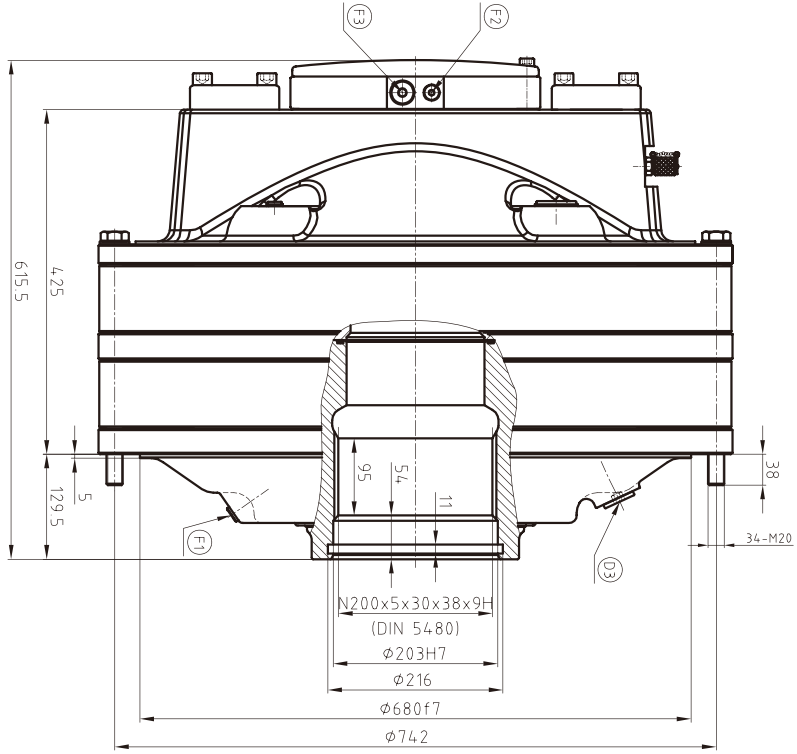
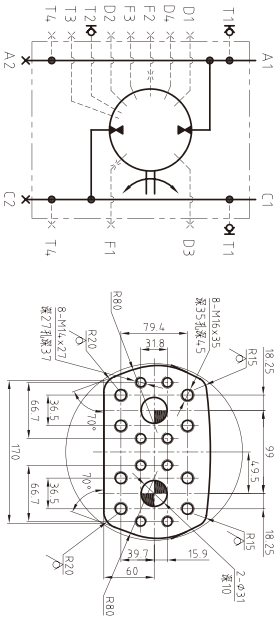


STF
HYDRAULIC TRANSMISSIONS

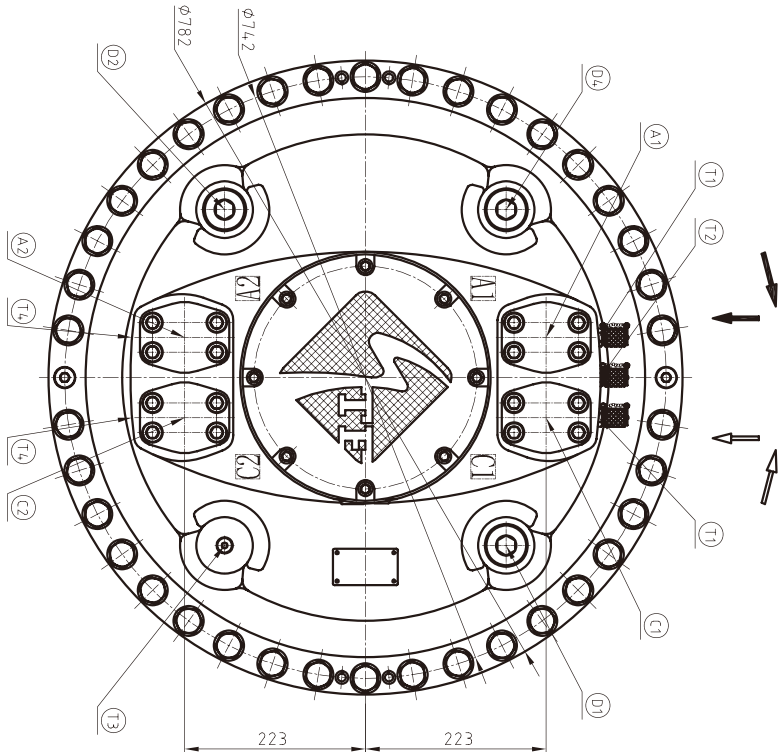
CRM-HB400 系列/ CRM-HB400 Serie

CRM-HB400 外形及安装尺寸/ CRM-HB400 Installation Dimensions

液压原理图/Hydraulic Schematic



油口尺寸/Connection



主油口A Main Conn. A	主油口C Main Conn. C	泄油口 Drain Conn.	冲洗油口 Flushing Conn.	测压口 Test Conn.
A1	C1	D1	F1	T1
A2	C2	D2	F2	T2
SAE 1 1/4" & SAE 1 1/2"		D3	F3	T3
SAE 1 1/4" & SAE 1 1/2"		D4	F1	T4
SAE 1 1/4" & SAE 1 1/2"		D1	F2	T1
SAE 1 1/4" & SAE 1 1/2"		D2	F3	T2
SAE 1 1/4" & SAE 1 1/2"		D3	F1	T3
SAE 1 1/4" & SAE 1 1/2"		D4	F2	T4
SAE 1 1/4" & SAE 1 1/2"		D1	F3	T1
SAE 1 1/4" & SAE 1 1/2"		D2	F1	T2
SAE 1 1/4" & SAE 1 1/2"		D3	F2	T3
SAE 1 1/4" & SAE 1 1/2"		D4	F3	T4

ITM

ITMS

STFC

STFD

CRM-HA

CRM-HB

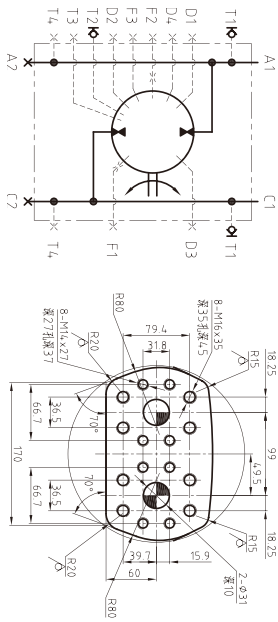
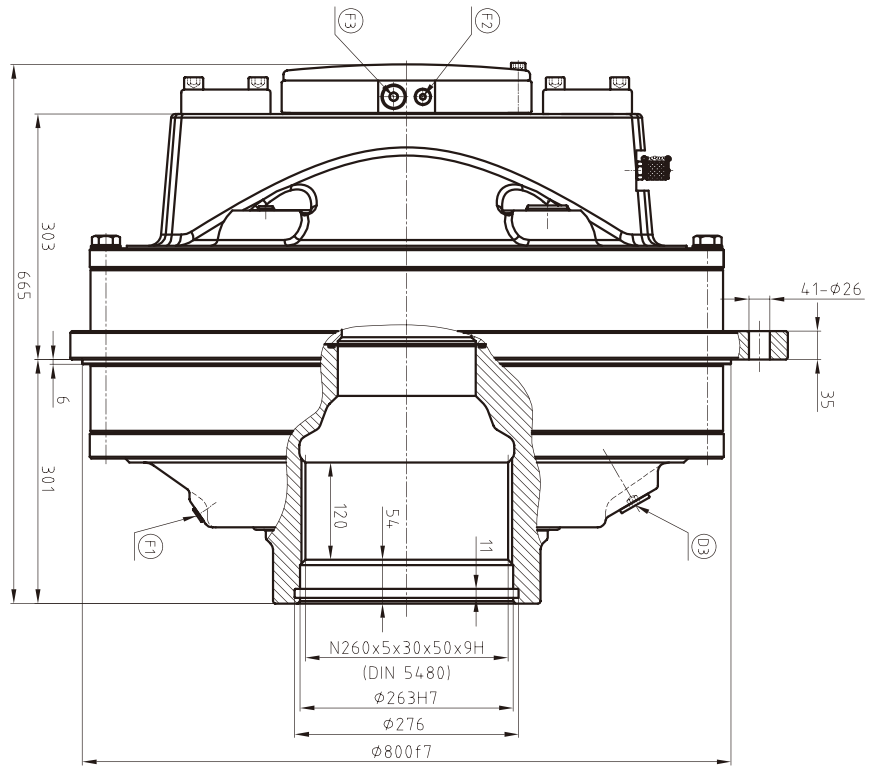
CRM-PS

SMA6V

SMA2F

OMZ

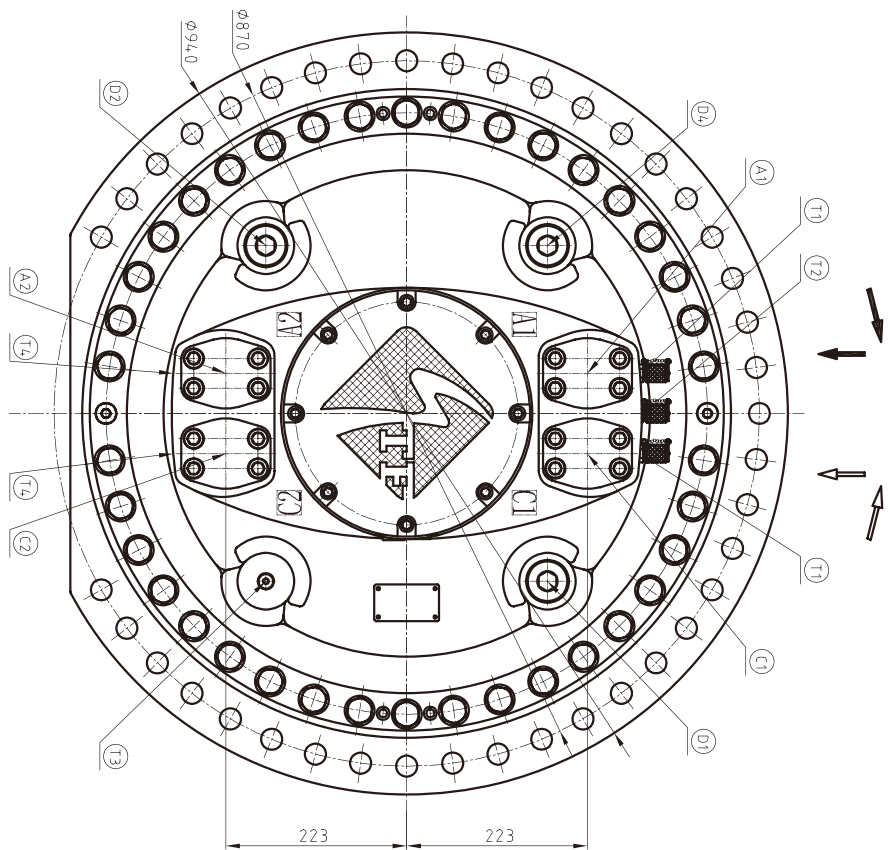
CRM-HB560 外形及安装尺寸/ CRM-HB560 Installation Dimensions



液压原理图/Hydraulic Schematic

油口尺寸/Connection

主油口 A Main Conn. A	主油口 C Main Conn. C	泄油口 Drain Conn.	冲洗油口 Flushing Conn.	测压口 Test Conn.
A1	A2	D1	F1	T1
A2	C1	D2	F2	T2
C1	C2	D3	F3	T3
SAE 1 1/4" & SAE 1 1/2"		BSP 1 1/4"	BSP 1"	T1 T2 T3
		BSP 1/4"	BSP 1/4"	T4
			BSP 1/2"	BSP 1/2"



ITM

ITMS

STFC

STFD

CRM-HA

CRM-HB

CRM-PS

SMA6V

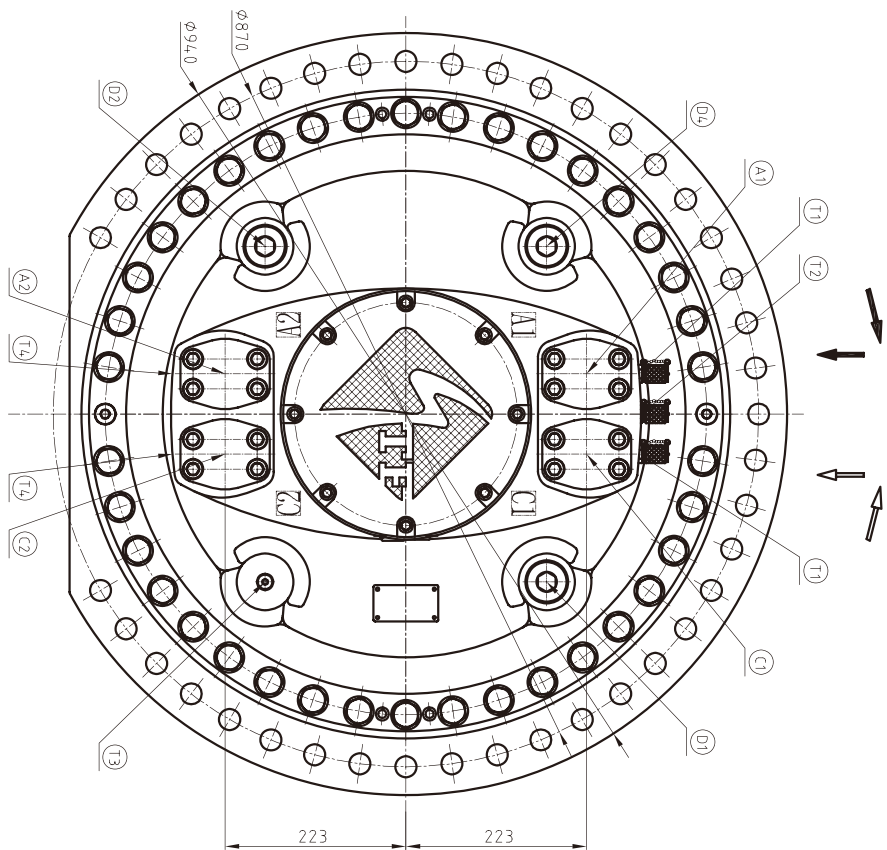
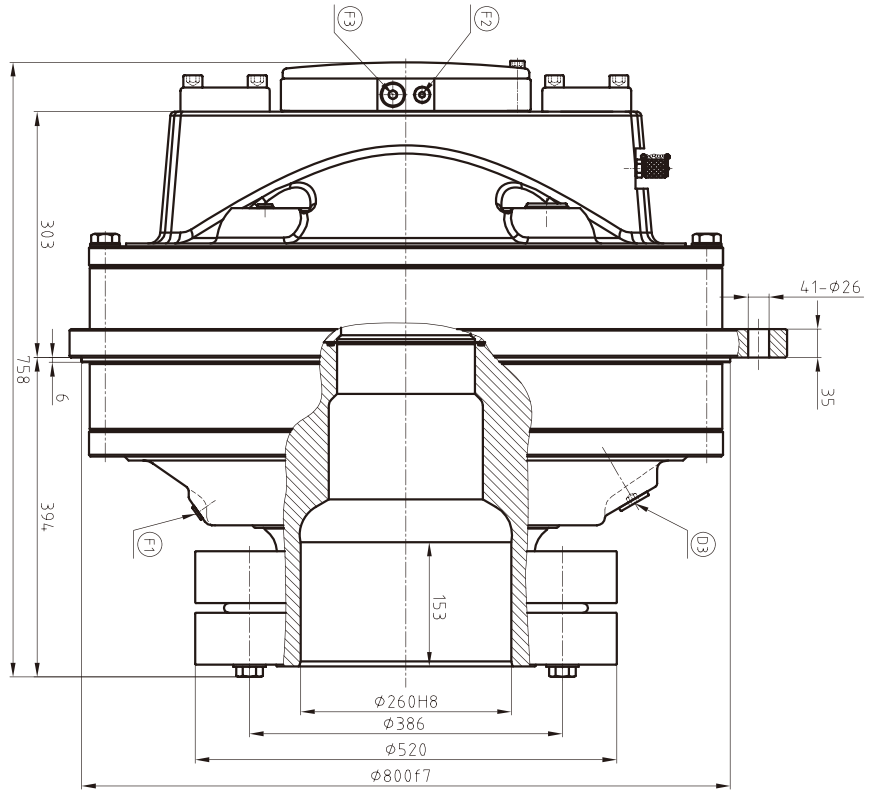
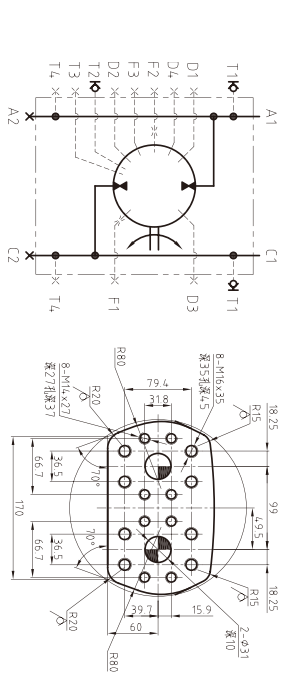
SMA2F

OMZ

CRM-HB560 系列/ CRM-HB560 Serie



CRM-HB560 外形及安装尺寸/ CRM-HB560 Installation Dimensions



抽口尺寸/Connection

主油口A Main Conn. A	主油口C Main Conn. C	泄油口 Drain Conn.	冲洗油口 Flushing Conn.	测压口 Test Conn.
A1	C1	D1	F1	T1
A2	C2	D2	F2	T2
		D3	F3	T3
				T4
SAE 1 1/4" & SAE 1 1/2"		BSP 1"	BSP 1/4"	BSP 1/4"
		BSP 1/4"	BSP 1/2"	BSP 1/2"

ITM

ITMS

STFC

STFD

CRM-HA

CRM-HB

CRM-PS

SMA6V

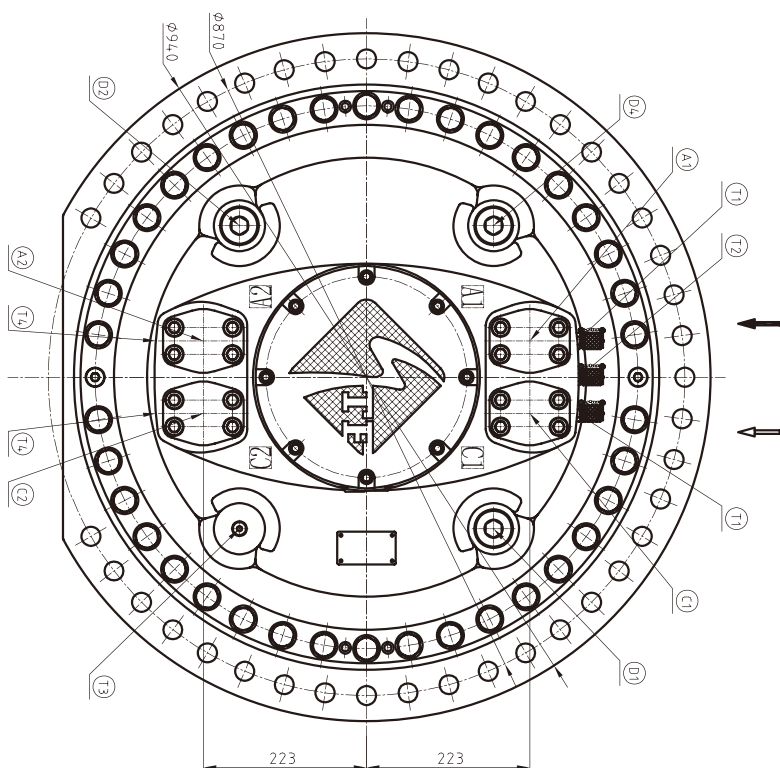
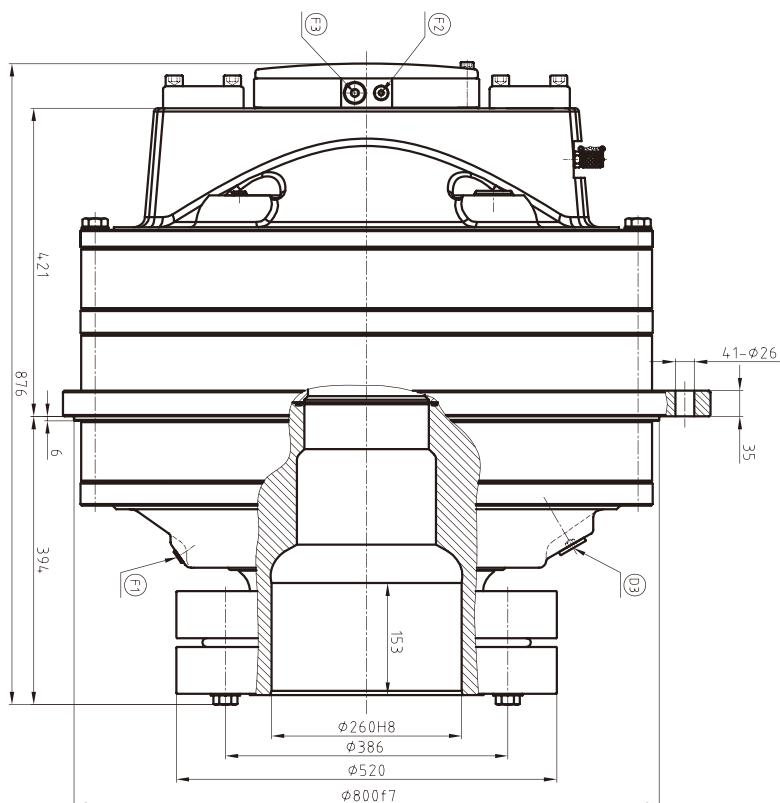
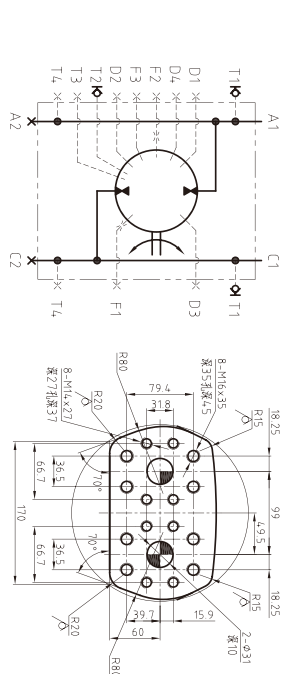
SMA2F

OMZ

CRM-HB840 系列/ CRM-HB840 Serie



CRM-HB840 外形及安装尺寸/ CRM-HB840 Installation Dimensions



液压原理图/Hydraulic Schematic

抽口尺寸/Connection

主油口A Main Conn. A		主油口C Main Conn. C		泄油口 Drain Conn.		冲洗油口 Flushing Conn.			测压口 Test Conn.		
A1	A2	C1	C2	D1	D2 D4	D3	F1	F2	F3	T1 T2 T3	T4
SAE 1 1/4" & SAE 1 1/2"		BSP 1 1/4"		BSP 1 1/4"		BSP 1"	BSP 1/4"	BSP 1/2"	BSP 1/2"	BSP 1/4"	BSP 1/2"

- ITM
- ITMS
- STFC
- STFD
- CRM-HA
- CRM-HB
- CRM-PS
- SMA6V
- SMA2F
- OMZ