

ITMS - ITMS30 ITMS Series Motor

ITMS series' hydraulic motor integrates the advantage of ITM and STF series' motor. It is a new concept hydraulic motors with higher comprehensive performance;

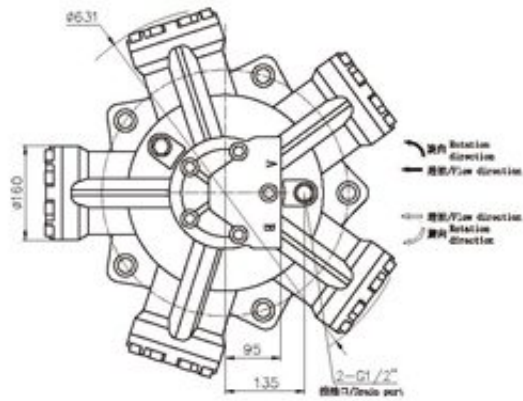
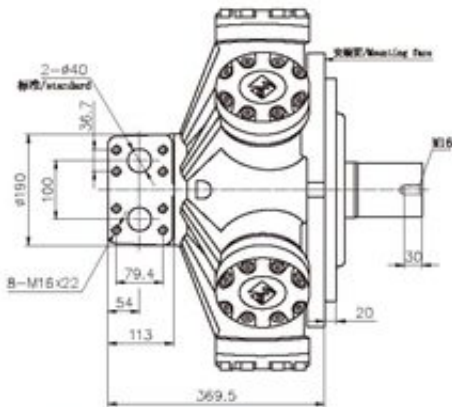
Main characteristics:

1. Same structure as STF series as removed piston sleeve, integrated body case and piston cylinder hole; featured with high power-mass ratio and technical performance;
2. Applied hydrostatic oil-film modality between ball-socket of piston and ball head of con-rod to heighten its contact pressure ratio, working pressure and mechanical efficiency;
3. Special surface treatment of piston guarantees its permanent structure and low-friction seal that enables its higher volumetric and mechanical efficiency;
4. Higher anti-impact and load performance due to its enhanced roller bearing;
5. Longer service life due to special materials and advanced heat treatment in main transmitting parts;
6. Same installation data as ITM series; an ideal replacement of ITM series in higher pressure & performance application.

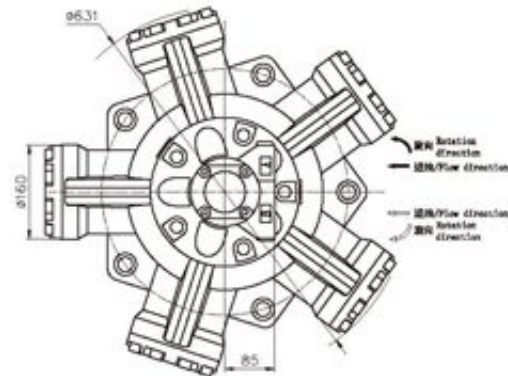
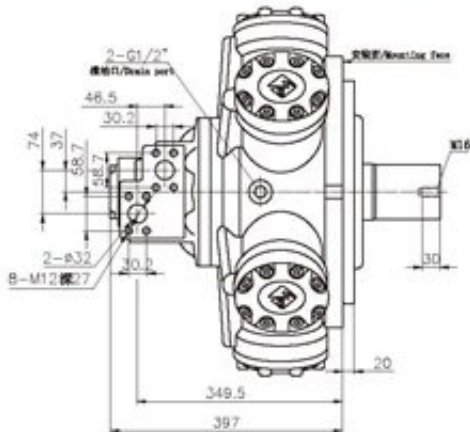
Type	Displacement (ml/r)	Pressure(Mpa)		Torque(N.m)			Max Power (Kw)	Weight (Kg)	Max Speed (r/min)
		Rated Pressure	Max Pressure	Rated Torque	Theoric Specific Torque (N.m/Mpa)				
ITMS30-2000	2041	22	27.5	6425	292	114	210	200	
ITMS30-2200	2237	22	27.5	7043	320	125		200	
ITMS30-2500	2551	22	27.5	8031	365	143		200	
ITMS30-2800	2813	20	25	8051	403	143		200	
ITMS30-3000	3029	20	25	8669	433	123		160	
ITMS30-3150	3159	20	25	9041	452	129		160	
ITMS30-3500	3467	18	22	8930	496	127		160	

ITMS30 外形及安装尺寸/ ITMS30 Installation Dimensions

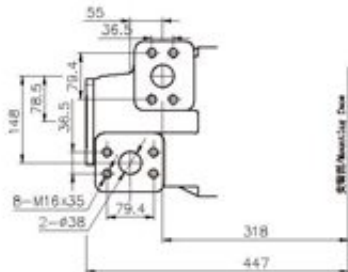
进油口为D90的安装尺寸/With D90 distributor



进油口为F01的安装尺寸/With F01 distributor



进油口为F02的安装尺寸/With F02 distributor



ITM

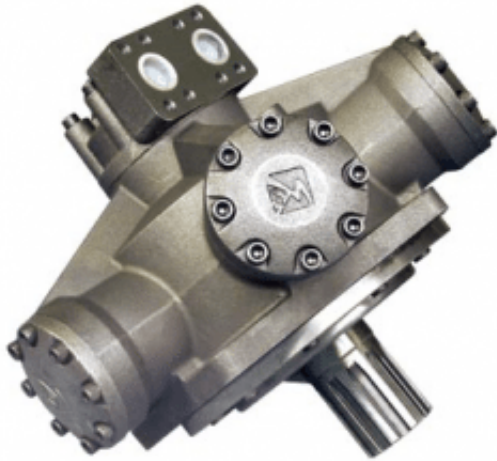
ITMS

STFC

STFD

CRM

OMZ



Product link : <http://www.stffirm.com/?p=1114>