

## HSBFP Series

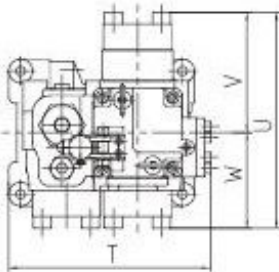
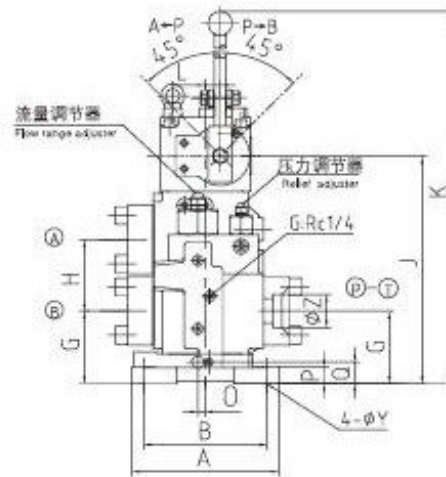
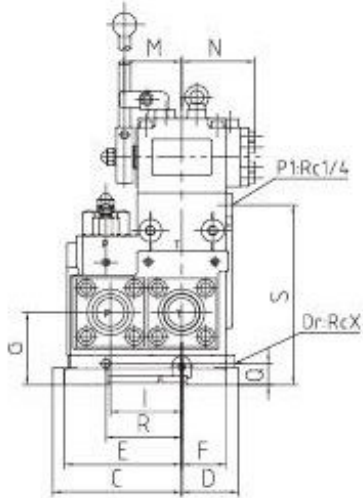
- This type is a manual control valve with the pressure compensator in parallel hydraulic circuits which matches with deck machinery and fishing equipment. this valve provides excellent energy savings and highly efficient circuits.
- The turning angle of the lever is in proportion to the flow passing through the valve regardless of the variation of the load and the fluctuation of the input flow. In addition the valve has stable flow rate (speed) control.
- Because the range adjustment is attached, it is possible to regulate the maximum flow at A and B ports.
- The flange installation size conforms to JIS B2291.
- A safety valve is built-in.
- The fitting position of the lever can be shifted at every 90 degrees.
- P and T ports are designed to be in parallel with the mounting surface, and by employing flanges of JIS LSA type the downward piping arrangement can be easily made, so the valve is most suitable in narrow spaces.
- By attaching a brake valve, counter-balance valve and other accessory devices, this valve can be used as a combined valve, which is multifunctional and compact.
- The changeover between the internal and external drain can be made easily only by the fitting and removing of the blind plugs.
- The shock at the changeover is very little and the force to turn the lever is small.

通径 Size		15	20	25	40	50
额定流量 Standart flow	L/min	25	60	90	250	300
		40	90	150	350	500
		60	120	200		680
流量范围 Flow range	%	参考右边表格/Refer to the right list				
最大工作压力 Max. working pressure	MPa	24.5				
耐压等级 Test resist pressure	MPa	36.8				
容许背压 Allowable drain pressure	MPa	2				
溢流设定压力 Relief set pressure	MPa	3.5 ~ 24.5(大约6MPa/一转)/(About 6MPa/one turn)				
操作杆角度 Lever operating angle	deg	± 45				
操作杆操作力 Lever operating force	N	小于49(操作杆顶端) /Less than 49(The tip of lever)				
法兰 Flange		符合 JIS B2291/ Conformity with JIS B 2291				
液压油 Hydraulic fluid		一般矿物液压油 / General mineral oil hydraulic fluid				
质量 MASS	Kg	~ 20	~ 29	~ 33	~ 49	~ 72

流量范围 Range adjustment

通径 Size	滑阀流量 spool flow	调整范围 adjustment ( L/min )
15	25	20 ~ 32
	40	37 ~ 57
	60	57 ~ 86
20	60	55 ~ 87
	90	72 ~ 112
	120	113 ~ 177
25	90	78 ~ 122
	150	130 ~ 200
	200	165 ~ 254
40	250	240 ~ 340
	350	350 ~ 490
50	300	270 ~ 384
	400	377 ~ 528
	500	500 ~ 700

## HSBF\* 系列 / HSBF\* Serie

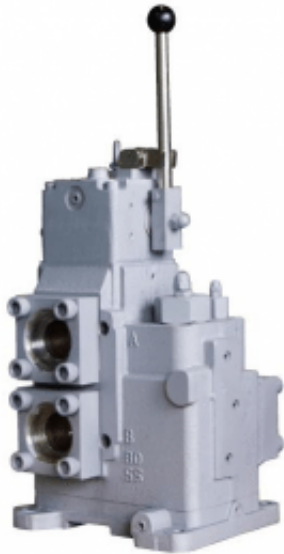


### 法兰螺栓的扭紧力矩 / Torque for tightening flange bolts

螺栓尺寸 Bolt size	型号 Model	扭紧力矩 Tighten torque (N.m)
M10	15, 20	10-20
M12	25	49-98
M16	40, 50	98-176.4

### 尺寸表 / Dimensions

尺寸 Size / 型号 Model	15	20	25	40	50
A	148	172	172	192	212
B	120	140	140	160	180
C	114	131	146	171	186
D	59	76	76	75	76
E	100	115	130	155	170
F	45	60	60	59	60
G	76	90	84	98	122
H	56	62	72	96	110
I	62	70	80	96	110
J	218	255	255	307	368
K	415	502	502	585	646
L	14	16	16	19	19
M	61	68	68	77	77
N	79	82	82	98	98
O	12	12	12	10	20
P	13	21	21	21	21
Q	20	25	25	25	25
R	70	75	95	102	130
S	170	193	193	241	302
T	193	213	228	269	284
U	164	179	205	252	284
V	82	87	100	122	132
W	82	92	105	130	152
X	1/4	3/8	3/8	3/8	3/8
Y	11	13	13	13	13
Z	22.2	27.7	34.5	49.1	61.1



Product link : <http://www.stffirm.com/it/?p=1181>