

Hot New Products

CRM - CRM-HB280 CRM-HA/HB Series Motor to Malawi Factory

CRM series' inner curve piston hydraulic motor is what we design for high-end application. With advantage of hollow rotor, CRM motor can be mounted with brake, speed encoder,

and some special equipments mounted through the center of motor, according to the user's requirements. It shows its striking features of high pressure

endurance, stability at low speed, and high output torque in various inferior working conditions.

Main characteristics:

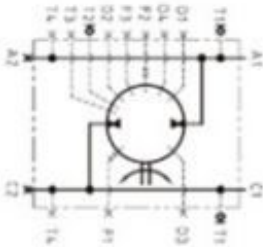
- 1.Good anti-shock capability and stability;
- 2.Stable speed swtich; brake available;
- 3.Enable free running working condition;
- 4.Multi-mounting options; hollow shaft design;
- 5.Large output torque; wide speed range; directly replace combined devices of high speed motor and gearbox; compact structure;
- 6.Stable performance in low speed;
- 7.Higher mechanical and volumetric efficiency;
- 8.Reversible rotation;
- 9.Higher power-mass ratio;
- 10.Higher reliability; easy maintenance;

TYPE	Displacement	Unit Torque	Rated Pressure	Max.Pressure	Rated Torque	Rated Speed	Max
	ml/r	N.m/bar	bar	bar	N.m	r/min	r/
HB280-240	15100	240	250	315	60000	45	
HB280-280	17600	280	250	315	70000	37	

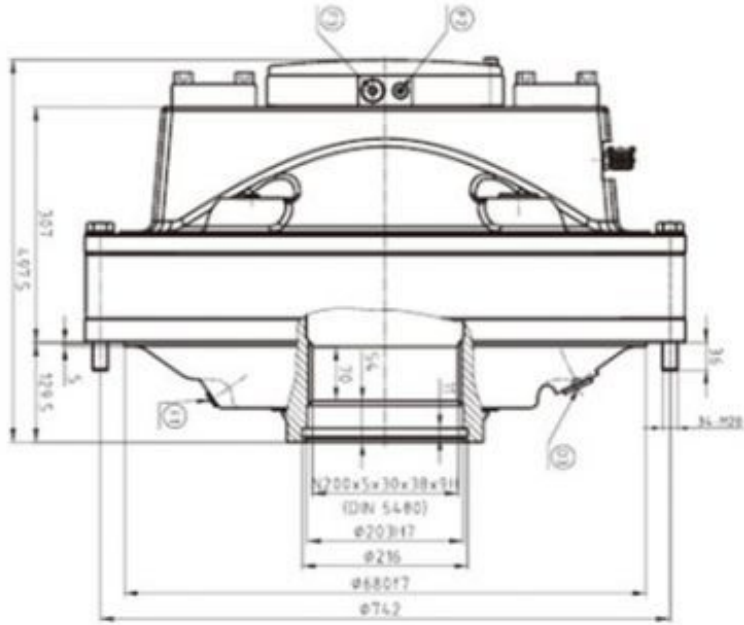
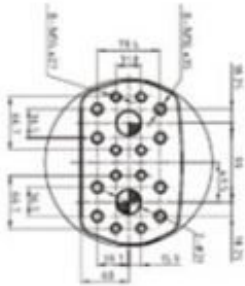
CRM-HB280 系列/ CRM-HB280 Serie



CRM-HB280 外形及安装尺寸/ CRM-HB280 Installation Dimensions

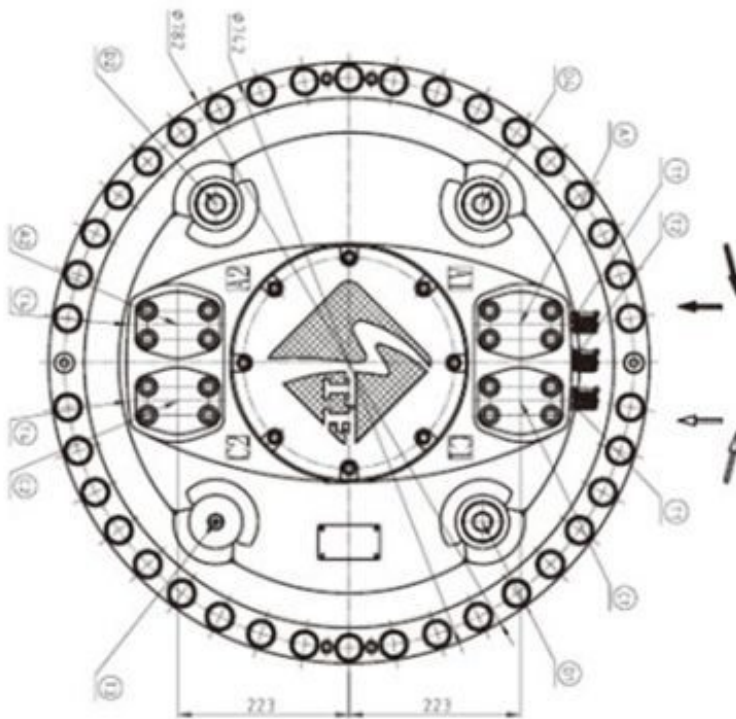


液压原理图/Hydraulic Schematic



主油口 A	主油口 C	泄油口	冲洗油口	测试口									
Main Conn. A	Main Conn. C	Drain Conn.	Flushing Conn.	Test Conn.									
A1	A2	C1	C2	D1	D2	D3	F1	F2	F3	T1	T2	T3	T4
SAE 1 1/4" SAE 1 1/2"		BSP 1 1/4"		BSP 1"		BSP 1/4"		BSP 1/2"		BSP 1/4"		BSP 1/2"	

油口尺寸/Connection



Product link : <http://www.stffirm.com/?p=79195>