

High Performance HSM-HSM2 HSM Series Motor for Malawi Importers

Feature

Product overview

HSM series hydraulic motor is a new type of product of our company, which is based on years practical experience. The design is improved in the foundation on the original technologies. HSM hydraulic motor mainly has the following characteristics:

1. As the piston and the tilt cylinder have no side force ,the piston bottom is designed to be static pressure balance. The torsional force is transferring between the piston and the crankshaft through rolling bearing, so the friction loss during the transferring process of force is reduced. Therefore, HSM series hydraulic motor has such features as: very high mechanical efficiency and comparatively high startup torque (mechanical efficiency of over 0.92 during startup).
2. The plane distributor (patented technology)is simple and reliable with perfect seal performance and almost no leakage. The plastic piston ring is used to seal between the piston and the tilt cylinder, so it has very high volumetric efficiency (can be as high as 0.98).
3. As the structure of this product has reduced friction loss and enhanced the seal performance, the product has perfect stability at low speed. It can stably run at 10r/min working condition and has big speed regulation range.
4. As the piston is jointed closely with bearing bushing without any clearance, this series of hydraulic motor can run at pump working condition.
5. This series of hydraulic motor has high pressure, (the highest pressure can reach 31.5 Mpa) light weight, small bulk and high specific power.
6. As this series hydraulic motor has simple structure, reasonable design and adopts bearing with big load ability, it can work reliably and has long life and low noise; the transmission shaft allows endure radial load and the rotational direction is reversible.

Technical Parameters

型号 TYPE	理论排量 Theory Displacement (ml/r)	扭矩/Torque (N.m)			尖峰压力 Peak Pressure (MPa)	单位扭矩 unit Torque (N.m/MPa)	连续转速 Speed Range (r/min)	最高转速 Max.cont Speed (r/min)
		16MPa	20MPa	25MPa				
HSM2-200	192	480	600	750	40	30	1-650	900
HSM2-250	251	627	784	980	40	39.2	1-650	900
HSM2-300	304	760	950	1188	40	47.5	1-600	850
HSM2-350	347	867	1084	1355	40	54.2	1-600	850
HSM2-420	425	1060	1326	1658	40	66.3	1-550	850
HSM2-500	493	1230	1538	1923	40	76.9	1-550	800
HSM2-600	565	1412	1766	2208	40	88.3	1-550	800
HSM2-630	623	1556	1946	2433	40	97.3	1-500	750

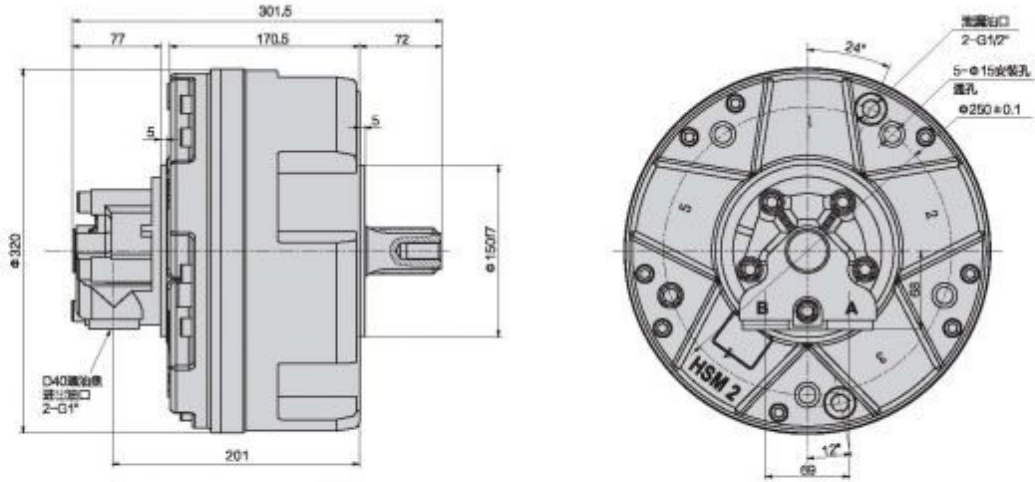
Dimensions

HSM2 系列/ HSM2 Serie



HSM
BdPH

外形尺寸图 Contour dimension



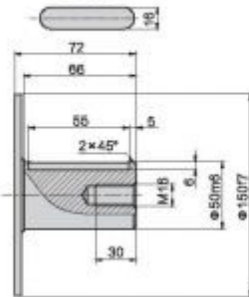
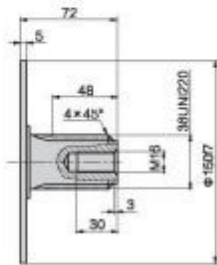
轴伸型式 Shaft extension type

标准—

A00

B00

I00

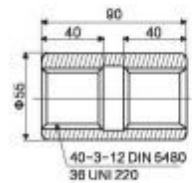


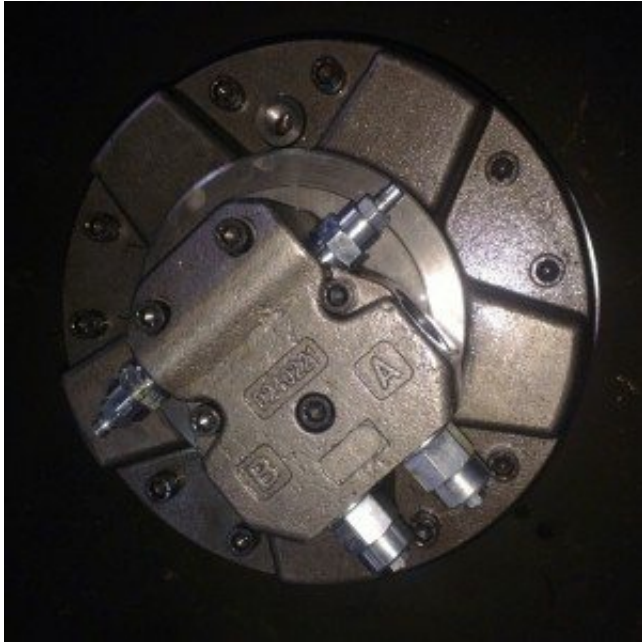
花键参数 Spline parameters

A01/I01	40-3-12 DIN5480
	<p>d0 $\varnothing 36.0$</p> <p>d1 $\varnothing 40.0 \begin{smallmatrix} +0.005 \\ -0.005 \end{smallmatrix} H14$</p> <p>d2 $\varnothing 34.0 \begin{smallmatrix} +0.005 \\ -0.005 \end{smallmatrix} H11$</p> <p>A $\varnothing 5.25$</p> <p>da $\varnothing 28.964 H11$</p> <p>d3 $\varnothing 39.4 \begin{smallmatrix} +0.005 \\ -0.005 \end{smallmatrix} h11$</p> <p>d4 $\varnothing 33.4 \begin{smallmatrix} +0.005 \\ -0.005 \end{smallmatrix} h14$</p> <p>B $\varnothing 6.0$</p> <p>db $\varnothing 45.989 f8$</p>

A00/I00	36 UNI 220 (8-36-40) DIN5462
	<p>d1 $\varnothing 36.0 \begin{smallmatrix} +0.005 \\ -0.005 \end{smallmatrix} H7$</p> <p>d2 $\varnothing 40.0 \begin{smallmatrix} +0.005 \\ -0.005 \end{smallmatrix} H11$</p> <p>A 7.0 $\begin{smallmatrix} +0.005 \\ -0.005 \end{smallmatrix} F7$</p> <p>d3 $\varnothing 36.0 \begin{smallmatrix} +0.005 \\ -0.005 \end{smallmatrix} g6$</p> <p>d4 $\varnothing 40.0 \begin{smallmatrix} +0.005 \\ -0.005 \end{smallmatrix} d11$</p> <p>B 7.0 $\begin{smallmatrix} -0.015 \\ -0.020 \end{smallmatrix} f7$</p>

联轴器 Couplings





Product link : <http://www.stffirm.com/?p=4071>