

CRM-PS/PSE08 CRM-PS Series Motor

CRM-PS series' LSHT radial cam-ring hydraulic motors are widely applied in deck, construction, mining machinery, cement equipments, heavy metallurgy, military industry, and can be directly used in hydrostatic transmission units.

- 1、 The modular design of the product, output module, function module, flow-distribution module and brake module, enables customers to select according to their actual requirements, thus to reduce their mechanical configuration to make the whole layout flexible and simple.
- 2、 The output module of products applies biconical roller bearing to withstand stronger radial and axial force.
- 3、 The disc flow-distribution module features with automatic wear- compensation function, which keeps high volumetric efficiency of motors in long term.
- 4、 The Function module applies sliding shoe which features with high load, anti-friction and heat-resistance performance, to reduce mechanical friction loss, optimizes stator curves' design, thus to improve the running stability and impact-resistance of the motor.
- 5、 The application of new composite processing technology enhances fatigue, abrasive and correction resistance of the parts, thus to prolong the service life of the motor. Customers select according to their actual requirements, thus to reduce their mechanical configuration to make the whole layout flexible and simple.

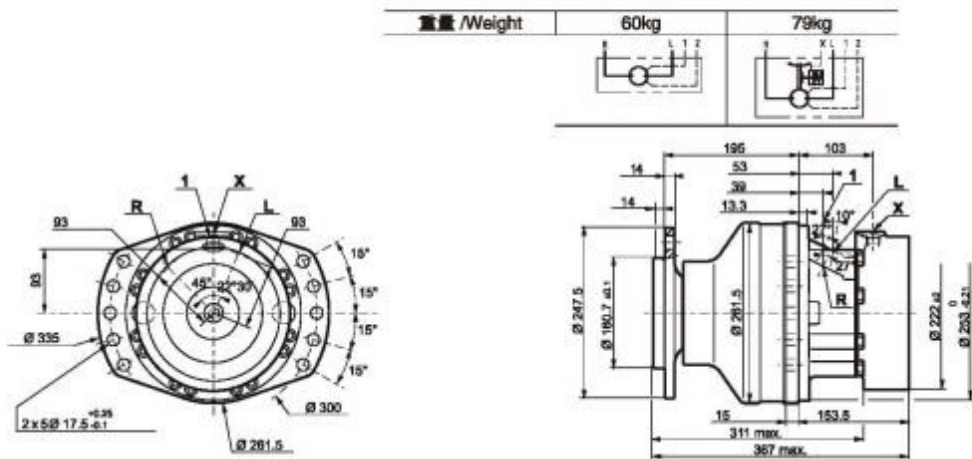
产品型号 TYPE	排量代号 Displacement Code	A	B	理论扭矩 Theoretical Torque	最大功率 Max.Power			最大转速 Max.Speed	最高压力 Max.Pressure
				A	A	B	B	B	
					优先旋向 Preferred	非优先旋向 Preferred			
	ml/r	ml/r	100bar N.M	KW	KW	KW	r/min	bar	
CRM-PS08	6	467	234	743	41	27	21	210	450
	8	627	314	997				210	
	9	702	351	1116				185	
	0	780	390	1240				170	
	1	857	429	1363				155	
	2	934	467	1485				140	
CRM-PSE08	0	1043	522	1658	41	27	21	130	400
	1	1146	573	1822				110	
	2	1248	624	1984				105	

CRM-PS08/PSE08 系列/CRM-PS08/PSE08 Serie

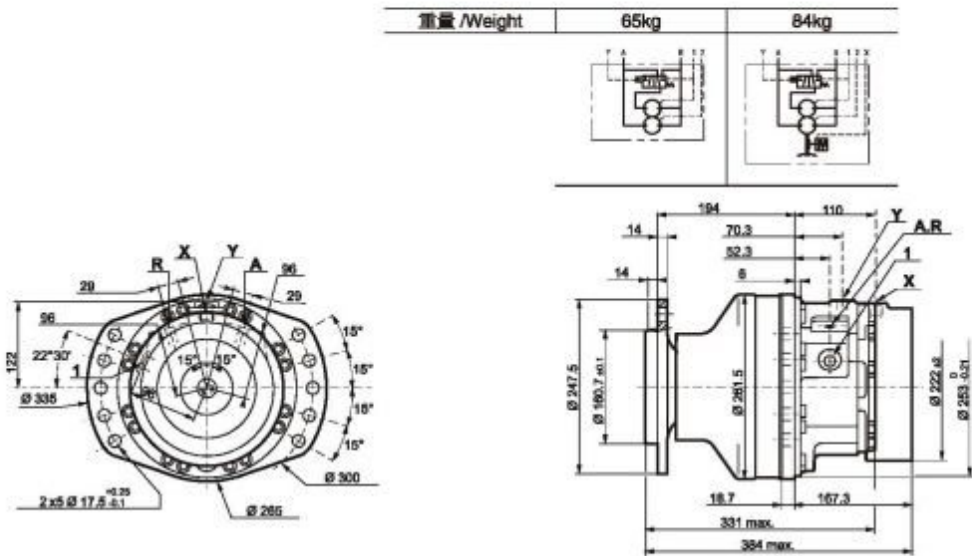


CRM-PS08/PSE08 轮边马达/CRM-PS08/PSE08 Wheel Motor

单排量马达 (1110) 标准尺寸/Dimensions for standard(1110)1-displacement motor



双排量马达 (1110) 标准尺寸/Dimensions for standard(1110)2-displacement motor



- ITM
- ITMS
- STFC
- STFD
- CRM-HA
- CRM-HB
- CRM-PS
- SMA6V
- SMAZF
- OMZ



Product link : <http://www.stffirm.com/?p=1199>